



RADLOK™ CONNECTOR

Asia Pacific

ChangZhou, China
Tel +86 519-8981 9713
Add. No.11 Fengxiang Road,New District,
Changzhou ,Jiangsu, China
P.C 213001

GuangZhou, China
Tel +86 20-3210-8099
Add 9th Floor, No.10, the 4th Street, Kehu
Jingu,Huangpu District, Guangzhou ,China
P.C 510663

North America

Winnipeg,Canada
Tel +1 204 697 2222
Add 2110 Notre Dame Avenue

Nogales, Mexico
Tel +52(55) 5258 9984
Add 482 Mariposa Road Building A, 85621

Sales Manager(North America): Alexander Rothmeier
Tel (USA) +(1) 516-655-2787
Email arothmeier@tpi.com

Sales Manager: Sherlock Wan
Tel +86 15950460386
Email sherlock.wan@amphenol-gec.com

Product Manager: George Chen
Tel +86 13413169243
Email george.chen2@amphenol-gec.com

Email info@Amphenol-GEC.com

RADLOK™ CONNECTOR



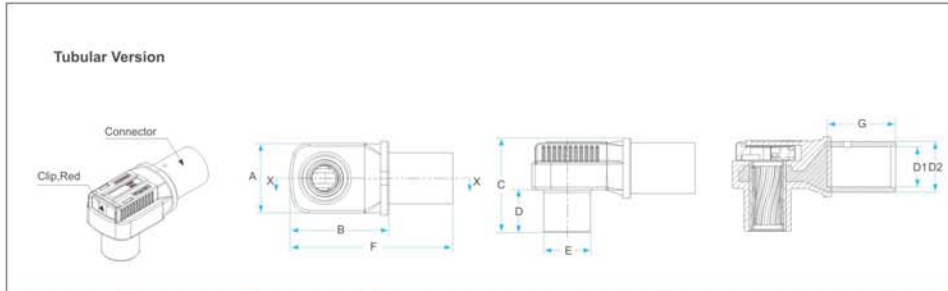
Description

RADLOK™ is a 1000V low cost tool free power interconnect utilizing RADSOK® contact technology available with current ratings from 70A to 500A. RADLOK™ is designed for energy storage, battery, and device power interconnects. RADLOK's quick connect and single finger press to release lock function replaces tools and hardware associated with standard lug terminals in their assembly and maintenance. Mating pins and receptacles available for bus bar and panel mount configurations with lug, thread, or mating RADLOK™ pin terminations. Available in orange, red, and black as discrete connectors or as molded cable assemblies.

Key Features

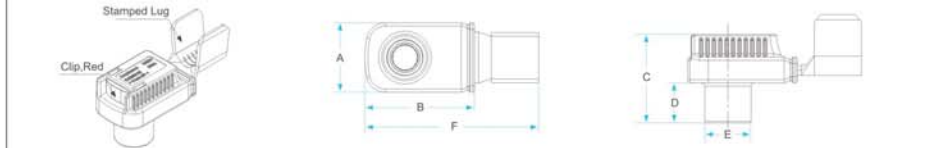
- Mating Cycle: 100Min
- Current Rating: 70A-500A
- Operating Voltage: 1000VDC
- Temperature Range: -40°C~+125°C
- Available in 3.6mm, 5.7mm, 8.0mm, 10.0mm, 12.0mm, 14.0mm pin size
- Inflammability: UL94V-0
- Tool-Free Mechanical Locking
- RoHS compliant
- Available in black, red, orange(contact us for customized color)

RADLOK™ Plug



RADSO ^K Size(mm)	Recommended Cable Size(mm ²)	Current(A)	Tubular Lug Version Dimensions(mm)									
			A	B	C	D	E	F	G	D1	D2	
3.6	10	70	15.5	27.0	18.3	7.3	8.1	38.0	11.0	5.0	6.7	
	16	90						47.7	19.0	5.5	8.5	
	25	120						47.7	19.0	7.2	9.5	
5.7	35	150						56.0	22.0	9.2	11.5	
	50	200	21.7	39.6	27.7	11.8	14.6	58.0	24.0	11.0	14.2	
	50	200						58.9	22.0	11.0	13.9	
8.0	70	250						60.9	24.0	12.0	15.5	
	95	300	25.7	37.0	35.3	15.9	17.5	60.9	25.5	15.0	19.0	
	120	400	33.0	44.5	37.2	15.0	20.0	70.5	28.0	17.0	21.2	
14.0	135	450							28.0	18.2	23.5	
	150	500	42.0	55.0	48.5	22.3	23.0	80.0	28.0	19.0	24.0	

Stamped Version



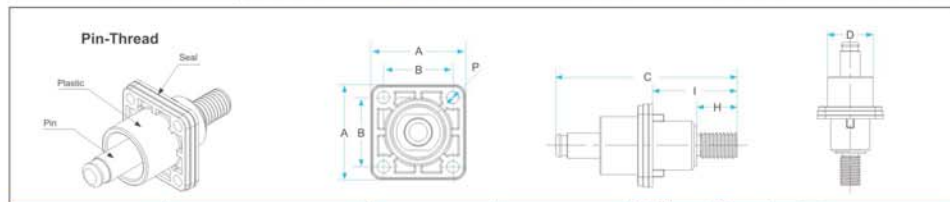
RADSO ^K Size(mm)	Recommended Cable Size(mm ²)	Current(A)	Tubular Lug Version Dimensions(mm)					
			A	B	C	D	E	F
3.6	10	70	15.5	27.0	18.0	7.3	8.1	38.8
	16	90						
	25	120	18.5	30.0	21.9	9.2	11.2	43.6
5.7	35	150						
	50	200	21.7	34.3	27.7	12.5	14.5	50.1
	50	200						54.4
8.0	70	250						
	95	300	25.7	35.7	33.8	16.6	17.0	62.0
	120	400	28.5	44.5	33.8	15.0	20.0	70.3

Ordering Information-RADLOK™ Plug

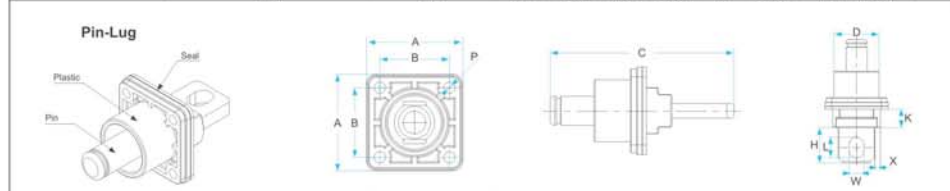
Product Type	Termination Type	RADSO ^K Size	Lug Type	Cable Size(mm) / Current	Connector Color	
RADLOK™	0	RADLOK™ Plug	1-Tubular 2-Stamped	036 3.6mm	10 70A	Blank: Orange BK: Black RE: Red
				057 5.7mm	16 90A	
				080 8.0mm	25 120A	
					35 150A	
					50 200A	
					35 150A	
					50 200A	
					70 250A	
					95 300A	
					120 400A	
	135 450A					
	150 500A					

Tubular Lug Version		Stamped Lug Version		Selection Description
Description	Part Number	Description	Part Number	
RL00361-10	AC-HA000222	RL00362-10	AC-HA002440	3.6mm Pin, 10mm ² Cable, 70A, ORANGE
RL00571-16	AC-HA000223	RL00572-16	AC-HA007996	5.7mm Pin, 16mm ² Cable, 90A, ORANGE
RL00571-25	AC-HA000224	RL00572-25	AC-HA002441	5.7mm Pin, 25mm ² Cable, 120A, ORANGE
RL00801-35	AC-HA000225	RL00802-35	AC-HA002442	8.0mm Pin, 35mm ² Cable, 150A, ORANGE
RL00801-50	AC-HA000226	RL00802-50	AC-HA002443	8.0mm Pin, 50mm ² Cable, 200A, ORANGE
RL01001-50	AC-HA000229	RL01002-50	-	10.0mm Pin, 50mm ² Cable, 200A, ORANGE
RL01001-70	AC-HA000230	RL01002-70	AC-HA006613	10.0mm Pin, 70mm ² Cable, 250A, ORANGE
RL01001-95	AC-HA000231	RL01002-95	AC-HA002444	10.0mm Pin, 95mm ² Cable, 300A, ORANGE
RL01201-120	AC-HA000232	RL01202-120	AC-HA002445	12.0mm Pin, 120mm ² Cable, 400A, ORANGE
RL01401-135	AC-HA004330	RL01402-135	-	14.0mm Pin, 135mm ² Cable, 450A, ORANGE
RL01401-150	AC-HA000233	RL01402-150	AC-HA003666	14.0mm Pin, 150mm ² Cable, 500A, ORANGE
RL00361-10RE	AC-HA000422	RL00362-10RE	AC-HA007995	3.6mm Pin, 10mm ² Cable, 70A, RED
RL00571-16RE	AC-HA000423	RL00572-16RE	AC-HA003618	5.7mm Pin, 16mm ² Cable, 90A, RED
RL00571-25RE	AC-HA000424	RL00572-25RE	AC-HA003526	5.7mm Pin, 25mm ² Cable, 120A, RED
RL00801-35RE	AC-HA000425	RL00802-35RE	AC-HA007557	8.0mm Pin, 35mm ² Cable, 150A, RED
RL00801-50RE	AC-HA000426	RL00802-50RE	AC-HA007555	8.0mm Pin, 50mm ² Cable, 200A, RED
RL01001-50RE	AC-HA000429	RL01002-50RE	-	10.0mm Pin, 50mm ² Cable, 200A, RED
RL01001-70RE	AC-HA000430	RL01002-70RE	AC-HA008002	10.0mm Pin, 70mm ² Cable, 250A, RED
RL01001-95RE	AC-HA000431	RL01002-95RE	AC-HA008004	10.0mm Pin, 95mm ² Cable, 300A, RED
RL01201-120RE	AC-HA000432	RL01202-120RE	AC-HA008006	12.0mm Pin, 120mm ² Cable, 400A, RED
RL01401-135RE	AC-HA004332	RL01402-135RE	AC-HA004332	14.0mm Pin, 135mm ² Cable, 450A, RED
RL01401-150RE	AC-HA000433	RL01402-150RE	AC-HA007997	14.0mm Pin, 150mm ² Cable, 500A, RED
RL00361-10BK	AC-HA000272	RL00362-10BK	AC-HA007994	3.6mm Pin, 10mm ² Cable, 70A, BLACK
RL00571-16BK	AC-HA000273	RL00572-16BK	AC-HA003619	5.7mm Pin, 16mm ² Cable, 90A, BLACK
RL00571-25BK	AC-HA000274	RL00572-25BK	AC-HA003527	5.7mm Pin, 25mm ² Cable, 120A, BLACK
RL00801-35BK	AC-HA000275	RL00802-35BK	AC-HA007556	8.0mm Pin, 35mm ² Cable, 150A, BLACK
RL00801-50BK	AC-HA000276	RL00802-50BK	AC-HA007554	8.0mm Pin, 50mm ² Cable, 210A, BLACK
RL01001-50BK	AC-HA000279	RL01002-50BK	-	10.0mm Pin, 50mm ² Cable, 200A, BLACK
RL01001-70BK	AC-HA000280	RL01002-70BK	AC-HA008001	10.0mm Pin, 70mm ² Cable, 250A, BLACK
RL01001-95BK	AC-HA000281	RL01002-95BK	AC-HA008003	10.0mm Pin, 95mm ² Cable, 300A, BLACK
RL01201-120BK	AC-HA000282	RL01202-120BK	AC-HA008005	12.0mm Pin, 120mm ² Cable, 400A, BLACK
RL01401-135BK	AC-HA004331	RL01402-135BK	-	14.0mm Pin, 135mm ² Cable, 450A, BLACK
RL01401-150BK	AC-HA000283	RL01402-150BK	AC-HA006614	14.0mm Pin, 150mm ² Cable, 500A, BLACK

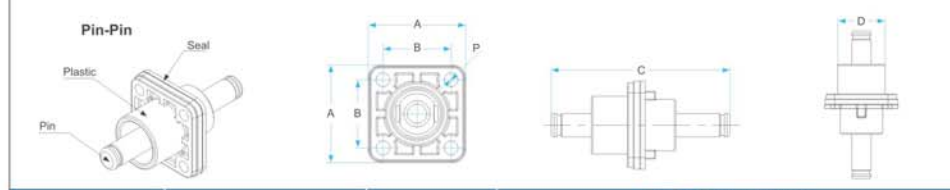
RADLOK™ Receptacle



Pin End	RADSOK® Size(mm)	Current(A)	Pin-Thread Dimensions(mm)							
			A	B	C	D	H	I	Thread	P
Pin-Thread	3.6	70	21.0	14.0	43.9	11.9	8	22.2	M4*0.7-6g	M3
	5.7	120	25.0	17.0	49.6	15.2	10	24.2	M6*1.0-6g	M4
	8.0	200	30.0	21.0	56.4	19.6	12	25.0	M8*1.25-6g	
	10.0	300	33.0	24.0	67.0	23.0	16	29.0	M10*1.5-6g	
	12.0	400	36.0	26.0	72.0	25.5	20	33.0	M12*1.75-6g	
	14.0	500	37.0	27.0	83.0	28.0	23	36.0	M12*1.75-6g	



Pin End	RADSOK® Size(mm)	Current(A)	Pin-Lug Dimensions(mm)									
			A	B	C	D	H	L	W	X	K	P
Pin-Lug	3.6	70	21.0	14.0	46.7	11.9	13.5	5.0	4.2	1.9	11.3	M3
	5.7	120	25.0	17.0	53.6	15.2	16.0	7.0	6.3	2.0	12.0	M4
	8.0	200	30.0	21.0	62.5	19.6	22.5	10.0	8.5	2.7	8.0	
	10.0	300	33.0	24.0	70.0	23.0	22.5	12.5	10.5	3.55	9.5	
	12.0	400	36.0	26.0	77.5	25.5	27.5	14.0	13.0	3.0	10.5	
	14.0	500	37.0	27.0	90.0	28.0	29.0	15.5	14.5	2.3	13.0	



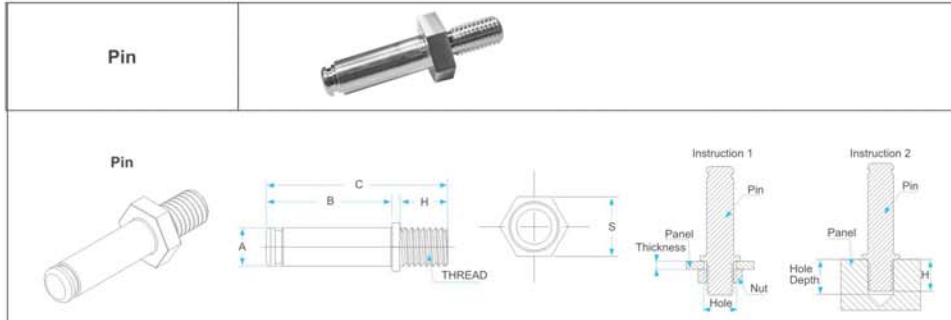
Pin End	RADSOK® Size(mm)	Current(A)	Pin-Pin Dimensions(mm)				
			A	B	C	D	P
Pin-Pin	3.6	70	21.0	14.0	41.3	11.9	M3
	5.7	120	25.0	17.0	50.0	15.2	M4
	8.0	200	30.0	21.0	60.8	19.6	
	10.0	300	33.0	24.0	74.5	23.0	
	12.0	400	36.0	26.0	78.0	25.5	
	14.0	500	37.0	27.0	96.0	28.0	

Ordering Information-RADLOK™ Receptacle

Product Type	Termination Type	RADSOK® Size	Pin End	Plating Type	Receptacle Type	Hole Type	Connector Color	
RADLOK™	9 RADLOK™ Receptacle	036 057 080 100 120 140	3.6mm 5.7mm 8.0mm 10.0mm 12.0mm 14.0mm	10: Thread 20: Lug 30: Pin	1: Silver	F1: Feed Thru Pin	H10: Oval Hole D10: Through Hole M10: Screw Hole PM10: Through Hole with PEM Nut	Blank: Black OR: Orange RE: Red

Pin-Thread		Pin-Lug		Pin-Pin		Product Description
Description	Part Number	Description	Part Number	Description	Part Number	
RL9036-101-F1	AC-HA000375	RL9036-201-F1	AC-HA000385	RL9036-301-F1	AC-HA000395	3.6mm Pin, SILVER PLATING, BLACK
RL9057-101-F1	AC-HA000377	RL9057-201-F1	AC-HA000387	RL9057-301-F1	AC-HA000397	5.7mm Pin, SILVER PLATING, BLACK
RL9080-101-F1	AC-HA000378	RL9080-201-F1	AC-HA000388	RL9080-301-F1	AC-HA000398	8.0mm Pin, SILVER PLATING, BLACK
RL9100-101-F1	AC-HA000380	RL9100-201-F1	AC-HA000390	RL9100-301-F1	AC-HA000400	10.0mm Pin, SILVER PLATING, BLACK
RL9120-101-F1	AC-HA000381	RL9120-201-F1	AC-HA000391	RL9120-301-F1	AC-HA000401	12.0mm Pin, SILVER PLATING, BLACK
RL9140-101-F1	AC-HA000382	RL9140-201-F1	AC-HA000392	RL9140-301-F1	AC-HA000402	14.0mm Pin, SILVER PLATING, BLACK
RL9036-101-F1OR	AC-HA001613	RL9036-201-F1OR	AC-HA001623	RL9036-301-F1OR	AC-HA001633	3.6mm Pin, SILVER PLATING, ORANGE
RL9057-101-F1OR	AC-HA001615	RL9057-201-F1OR	AC-HA001625	RL9057-301-F1OR	AC-HA001635	5.7mm Pin, SILVER PLATING, ORANGE
RL9080-101-F1OR	AC-HA001616	RL9080-201-F1OR	AC-HA001626	RL9080-301-F1OR	AC-HA001636	8.0mm Pin, SILVER PLATING, ORANGE
RL9100-101-F1OR	AC-HA001618	RL9100-201-F1OR	AC-HA001628	RL9100-301-F1OR	AC-HA001638	10.0mm Pin, SILVER PLATING, ORANGE
RL9120-101-F1OR	AC-HA001619	RL9120-201-F1OR	AC-HA001629	RL9120-301-F1OR	AC-HA001639	12.0mm Pin, SILVER PLATING, ORANGE
RL9140-101-F1OR	AC-HA001620	RL9140-201-F1OR	AC-HA001630	RL9140-301-F1OR	AC-HA001640	14.0mm Pin, SILVER PLATING, ORANGE
RL9036-101-F1RE	AC-HA001703	RL9036-201-F1RE	AC-HA001713	RL9036-301-F1RE	AC-HA001723	3.6mm Pin, SILVER PLATING, RED
RL9057-101-F1RE	AC-HA001705	RL9057-201-F1RE	AC-HA001715	RL9057-301-F1RE	AC-HA001725	5.7mm Pin, SILVER PLATING, RED
RL9080-101-F1RE	AC-HA001706	RL9080-201-F1RE	AC-HA001716	RL9080-301-F1RE	AC-HA001726	8.0mm Pin, SILVER PLATING, RED
RL9100-101-F1RE	AC-HA001708	RL9100-201-F1RE	AC-HA001718	RL9100-301-F1RE	AC-HA001728	10.0mm Pin, SILVER PLATING, RED
RL9120-101-F1RE	AC-HA001709	RL9120-201-F1RE	AC-HA001719	RL9120-301-F1RE	AC-HA001729	12.0mm Pin, SILVER PLATING, RED
RL9140-101-F1RE	AC-HA001710	RL9140-201-F1RE	AC-HA001720	RL9140-301-F1RE	AC-HA001730	14.0mm Pin, SILVER PLATING, RED

RADLOK™ Pin



Pin End	RADSOK® Size(mm)	Current(A)	Pin Product Dimensions(mm)							
			A	B	C	H	S	Thickness	Thread	Torque Force
RADLOK™ Pin	3.6	70	3.6	17.5	28.0	8.0	7.0	1.0~2.5	M4*0.7-6g	2.5±0.2
	5.7	120	5.7	21.1	34.1	10.0	10.0	1.0~2.5	M6*1.0-6g	4.0±0.4
	8.0	200	8.0	26.4	42.4	12.0	13.0	1.0~3.5	M8*1.25-6g	7.5±0.5
	10.0	300	10.0	32.2	53.2	16.0	16.0	1.0~4.0	M10*1.5-6g	20.0±1.0
	12.0	400	12.0	32.6	58.6	20.0	18.0	1.0~4.5	M12*1.75-6g	24.0±1.0
	14.0	500	14.0	41.0	72.0	23.0	24.0	1.0~4.5	M12*1.75-6g	24.0±1.0

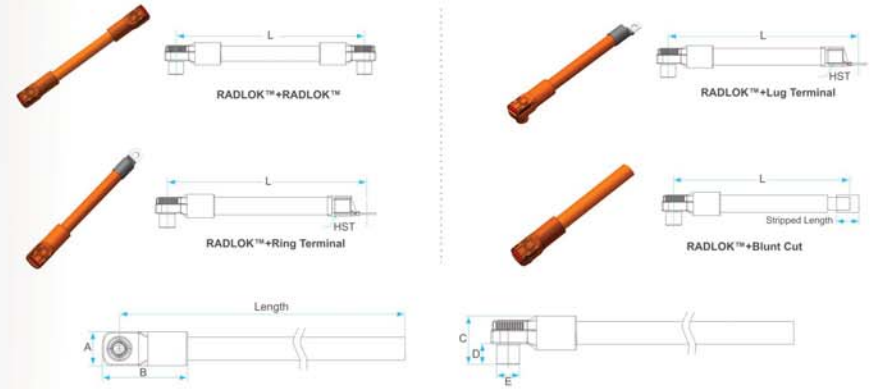
Ordering Information-RADLOK™ Pin

RL 9 036 - 101

Product Type	Termination Type	RADSOK® Size	Plating Type	
RADLOK™	9	RADLOK™ Pin	036 3.6mm	101: Silver
			057 5.7mm	
			080 8.0mm	
			100 10.0mm	
			120 12.0mm	
			140 14.0mm	

Description	Part Number	Product Description
RL9036-101	AC-CP000102	3.6mm Pin,BOLT M4 THREAD,SILVER PLATING
RL9057-101	AC-CP000104	5.7mm Pin,BOLT M6 THREAD,SILVER PLATING
RL9080-101	AC-CP000105	8.0mm Pin,BOLT M8 THREAD,SILVER PLATING
RL9100-101	AC-CP000107	10.0mm Pin,BOLT M10 THREAD,SILVER PLATING
RL9120-101	AC-CP000110	12.0mm Pin,BOLT M12 THREAD,SILVER PLATING
RL9140-101	AC-CP000111	14.0mm Pin,BOLT M12 THREAD,SILVER PLATING

RADLOK™ Cable Assembly



RADSOK® Size(mm)	Recommended Cbl Size(mm ²)	Current(A)	Cable Assembly Dimensions(mm)				
			A	B	C	D	E
3.6	10	70	15.5	36.0	18.3	7.3	Φ8.1
	16	90	18.5	47.0	21.9	9.4	Φ11.2
5.7	25	120	21.6	55.3	27.0	11.8	Φ14.6
	35	150					
8.0	50	200	26.0	63.2	34.3	15.9	Φ17.5
	50	200					
10.0	70	250	28.5	76.0	37.3	15.0	Φ20.0
	95	300					
12.0	120	400	31.0	77.0	46.3	22.3	Φ23.0
	135	450					
14.0	150	500					

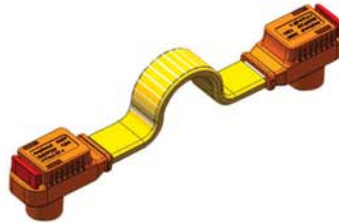
Ordering Information-Cable Assembly

RL 1 080 - 50 - L200 - OR - M8

Product Type	Termination Type	RADSOK® Size	Cable Size (mm ²)	Current	Cable Length(mm)	Connector Color	Stud Size	
RADLOK™	1 RADLOK™+RADLOK™	036 3.6mm	10	70A	Min:120	OR: Orange BK: Black RE: Red	N/A	
		057 5.7mm	16	90A	Min:140		M ¹¹	E ¹¹
	4 RADLOK™+Lug Terminal	080 8.0mm	35	150A	Min:150		6	1/4
		50	200A	8			5/16	
	5 RADLOK™+Ring Terminal	50	200A	Min:170	10		3/8	
		70	250A		12		1/2	
	6 RADLOK™+Blunt Cut	95	300A	Min:180	N/A			
		120	400A		N/A			
	7 RADLOK™+Striped	135	450A	Min:180	N/A			
		140	500A		N/A			
								Stripped Length(mm)

Please contact our regional sales for relevant product drawings.

PowerFlex™



Product Description

PowerFlex™ features a high flex, multi-layer laminated structure, specifically engineered for high-current power distribution applications. Integrated with Amphenol's RADSOK® connectors on both extremities, PowerFlex™ is the best solution for power connection in a limited space. PowerFlex™ can be customized to adapt different kinds of applications. Amphenol TPI is always open to propose the right solution for customers worldwide. In case of any inquiry, please contact our sales representatives in your region.

RADLOK™ Connector (Stamped Version)

Drawing	RADSOK® Size(mm)	RADLOK Size(mm)						Dimensions
		W	H	h	D	P		
	3.6	15.5	18.0	7.3	Φ8.10	27.0	Busbar material used is soft laminated copper busbar, customized according to customer requirement.	
	5.7	18.5	21.9	9.2	Φ11.2	30.0		
	8.0	21.7	27.7	12.5	Φ14.5	34.3		
	10.0	25.7	33.3	16.1	Φ17.0	35.7		
	12.0	28.5	33.8	15.0	Φ20.0	44.5		
	14.0	31.0	42.5	22.3	Φ23.0	45.0		

⚠ The information contained in this data sheet is for reference only

Amphenol Technical Products International provides the above product specifications for the standard. Specifications are subject to change without notice. Contact your nearest Amphenol Corporation Sales Office for the latest specifications. All statements, information and data given herein are believed to be accurate and reliable but are presented without representation or warranty that any such use is free of patent infringement and are not recommendations to infringe any patent. Specifications are typical and may not apply to all connectors. Note that these specifications are derived from relevant global standards used in the automotive and industrial transportation markets, but they are not a substitute for system level design validation testing, which is the sole responsibility of the system designer and/or end user.