

CLIFF

TERMINAL SERIES TP6



CL159709 - TP6S BLACK ASSEMBLED
CL159710 - TP6S BLACK UNASSEMBLED
CL159711A - TP6S BLACK GOLD ASSEMBLED



CL159719 - TP6S RED ASSEMBLED
CL159720 - TP6S RED UNASSEMBLED
CL159721A - TP6S RED GOLD ASSEMBLED



CL159730
 TP6S BLUE ASSEMBLED
CL159729
 TP6S BLUE UNASSEMBLED



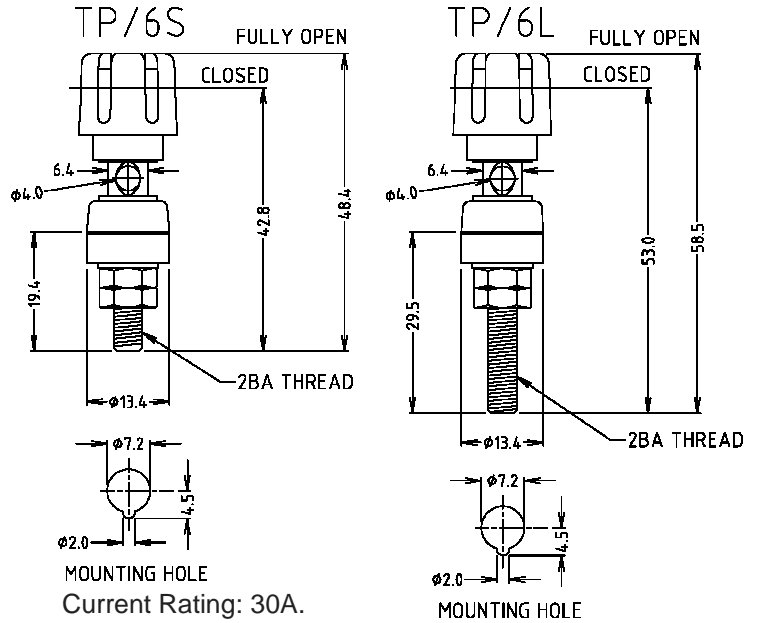
CL159740
 TP6S GREEN ASSEMBLED
CL159741
 TP6S GREEN UNASSEMBLED



CL159775
 TP6S YELLOW ASSEMBLED
CL159774
 TP6S YELLOW UNASSEMBLED



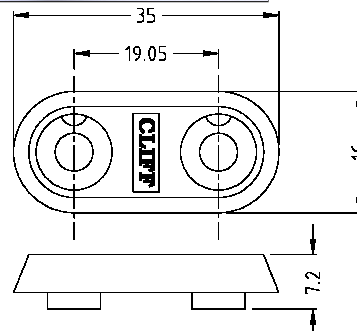
CL1595
 TPP1 TERMINAL MOUNTING PLATE



CL159715
 TP6L BLACK ASSEMBLED



CL159725
 TP6L RED ASSEMBLED



All models can be supplied with either gold or nickel plated finish. Customised versions available dependant on MOQ's.

For further information, contact: sales@cliffuk.co.uk

Cliff Electronic Components Limited,
 76 Holmethorpe Avenue, Holmethorpe Ind. Estate,
 Redhill, Surrey RH1 2PF U.K.
 Tel: +44 (0)1737 771375 Fax: +44 (0)1737 766012



Visit us online at:

www.cliffuk.co.uk