



# NATIONAL

# 716/ZP1300

## GAMMA DETECTOR



### GENERAL SPECIFICATIONS

Gas Filling: .....	Ne + Halogen Admixture
Cathode Material: .....	446 Stainless Steel
Maximum Length: (inch/mm) .....	0.97/24.5
Effective Length: (inch/mm) .....	0.13/3.2
Maximum Diameter: (inch/mm) .....	0.25/6.4
Effective Diameter: (inch/mm) .....	0.19/4.8
Connector: .....	Pin
Operating Temperature Range: (°C) .....	-40 to +75

### WALL SPECIFICATIONS

Areal Density: (mg/cm <sup>2</sup> ) .....	90
Thickness: (inch/mm) .....	0.005/0.13

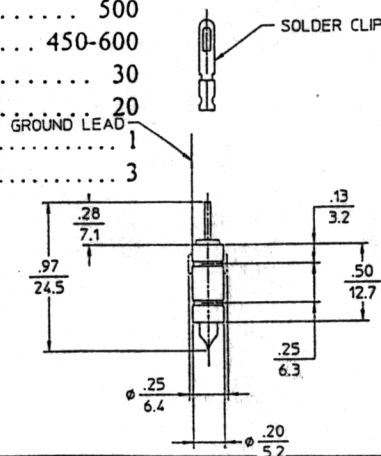
### GAMMA SENSITIVITY

C/S/MR/Hr @ Co <sup>60</sup> .....	0.35
------------------------------------	------

### ELECTRICAL SPECIFICATIONS

Minimum Anode Resistor: (mΩ) .....	2.2
Recommended Anode Resistor: (mΩ) .....	10
Maximum Starting Voltage: (volts) .....	400
Recommended Operating Voltage: (volts) .....	500
Operating Voltage Range: (volts) .....	450-600
Maximum Plateau Slope: (%/100 volts) .....	30
Minimum Dead Time: (μs) .....	20
Maximum Background (Shielded 50mm Pb + 3mm Al) .....	1
Capacitance: (pf) .....	3

The 716 is available with a sensitivity of 60 C/M/MR/hr as the 71630



## NATIONAL ELECTRONICS



# NATIONAL

# 714/ZP1310

## GAMMA DETECTOR



### GENERAL SPECIFICATIONS

Gas Filling: .....	Ne + Halogen Admixture
Cathode Material: .....	446 Stainless Steel
Maximum Length: (inches/mm) .....	1.34/33.9
Effective Length: (inches/mm) .....	0.63/15.9
Maximum Diameter: (inches/mm) .....	0.25/6.4
Effective Diameter: (inches/mm) .....	0.19/4.83
Connector: .....	Pin
Operating Temperature Range: (°C) .....	-40 to +75

### WALL SPECIFICATIONS

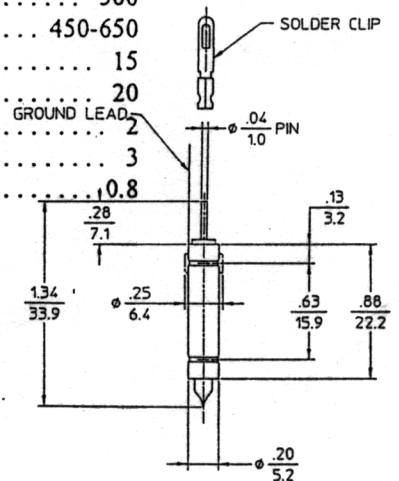
Areal Density: (mg/cm <sup>2</sup> ) .....	90
Thickness: (inch/mm) .....	0.005/0.13

### GAMMA SENSITIVITY

C/S/MR/hr (Co <sup>60</sup> ) .....	1.5
-------------------------------------	-----

### ELECTRICAL SPECIFICATIONS

Minimum Anode Resistor: (mΩ) .....	2.2
Recommended Anode Resistor: (mΩ) .....	3.3
Maximum Starting Voltage: (volts) .....	380
Recommended Operating Voltage: (volts) .....	500
Operating Voltage Range: (volts) .....	450-650
Maximum Plateau Slope: (%/100 volts) .....	15
Minimum Dead Time: (μs) .....	20
Background: (Shielded 50mm Pb + 3mm Al) .....	2
Capacitance: (pF) .....	3
Weight: (grams) .....	0.8



## NATIONAL ELECTRONICS