

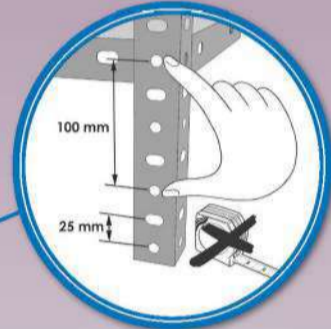
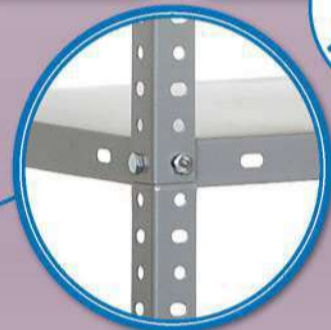
180 x 90 x 40 cm* 70.9" x 35.4" x 15.8"

COMFORT 5/400

5 Años Garantía
Years Guarantee
Jahre Garantie
Ans Garantie
Anos de Garantia
SIMONRACK



**500 kg
(1102 lb)
Total**



**Simon
Rack**
SINCE 1964 - MANUFACTURER

*MEDIDAS EN USO: 1803 x 914 x 414 mm
USED MEASUREMENTS: 70.98" x 35.98" x 16.30"



ESTANTERIAS SIMON S.L. B.50.556.463
PG. ALFAMEN C/ POLIGONO C, Nº3
ALFAMEN (ZARAGOZA)

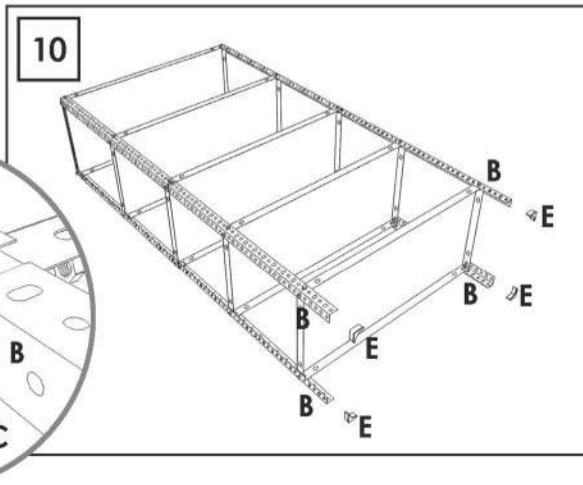
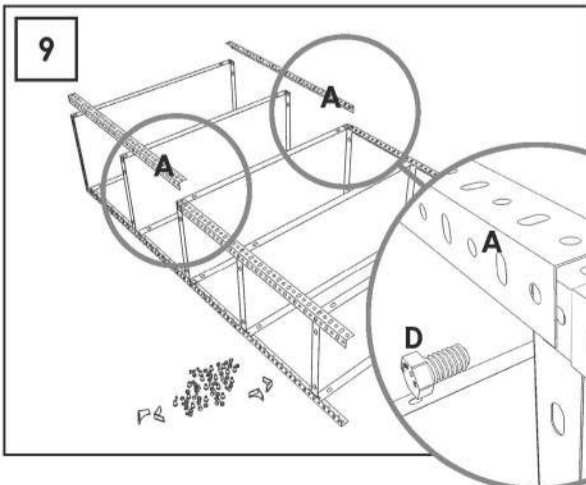
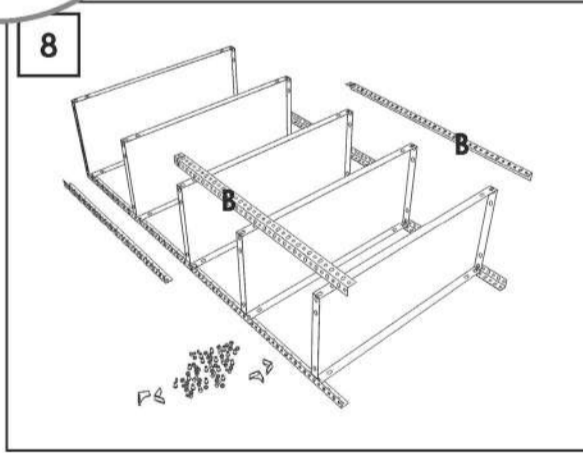
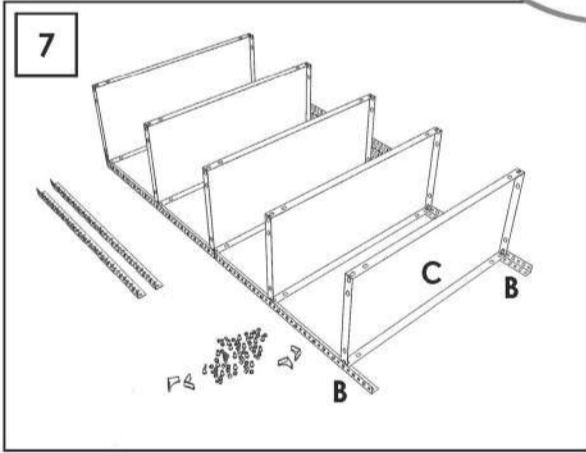
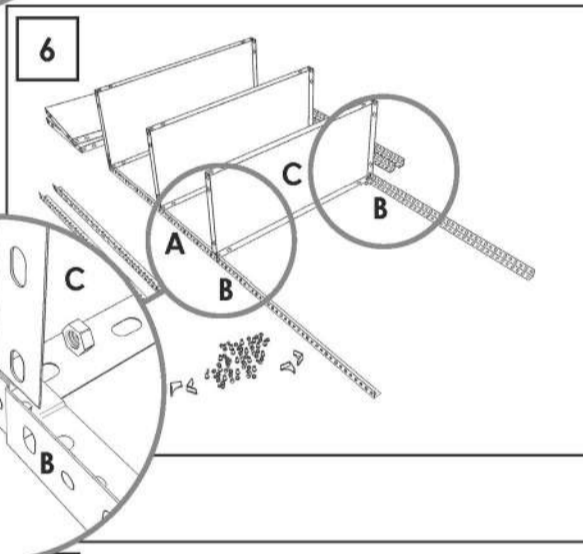
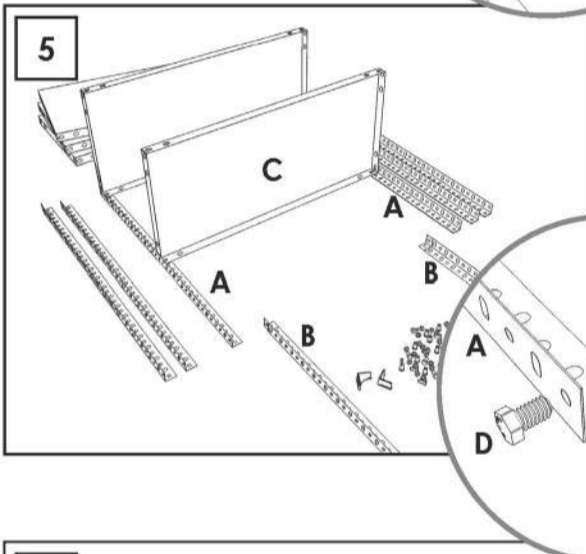
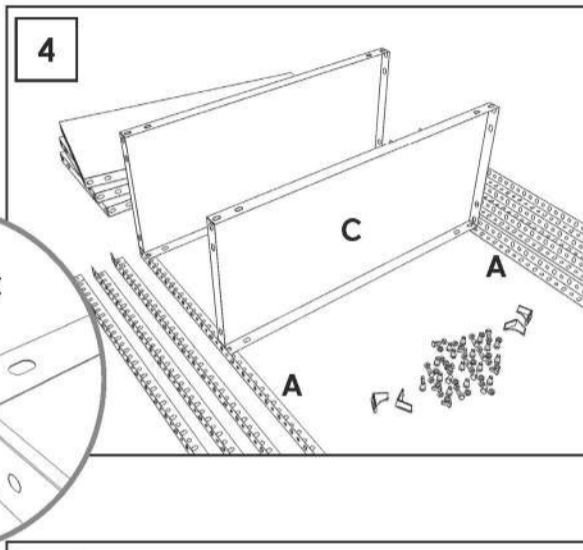
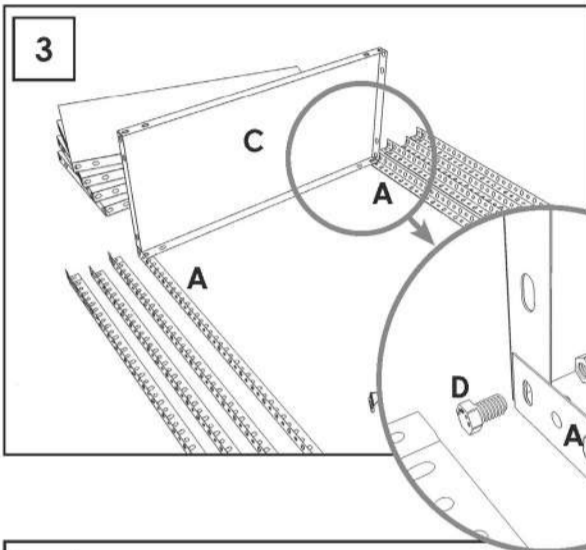
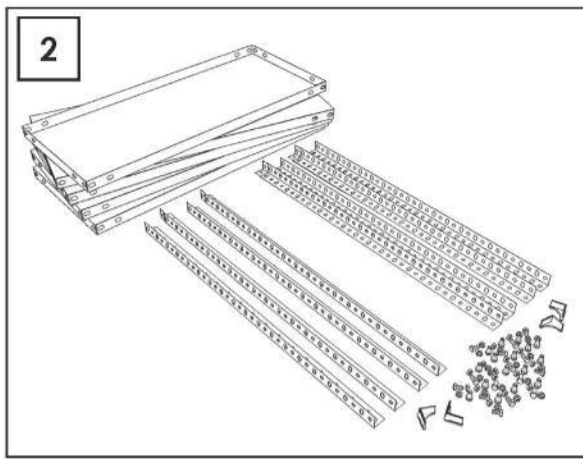
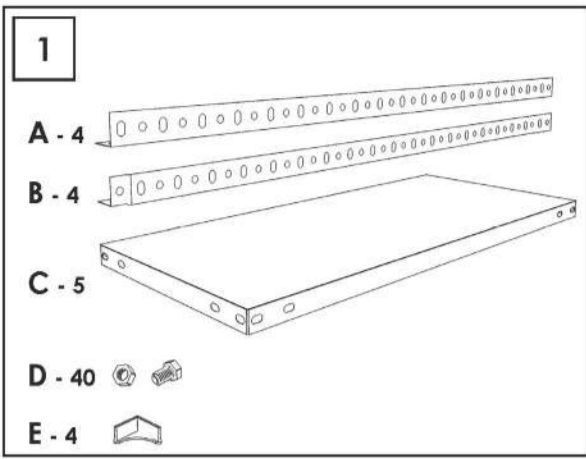
www.simonrack.com



www.simonrack.com



INSTRUCTIONS



On-line instructions: www.instructionsrack.com/simonclassic

SIMONCLASSIC



SIMONCLICK



SIMONOFFICE



SIMONTALLER



**BANCOS DE TRABAJO
WORK BENCHES**



SIMONHOME



**TAQUILLAS
LOCKER**



SIMONTITÁN



SIMONINOX



SIMONPALET



SIMONLEVER



**ALTILLOS Y PASILLOS ELEVADOS
PLATFORMS AND MEZZANINES**

