

Features:

- 3.5x2.7x1.9mm Standard Directivity
- Superior Weather-resistance
- UV Resistant Epoxy
- Water Clear Type
- RoHS Compliant



Applications

- Automotive Dashboard Lighting
- Traffic Signal Lamp
- Back Lighting

Absolute maximum rating (Ta=25°C)

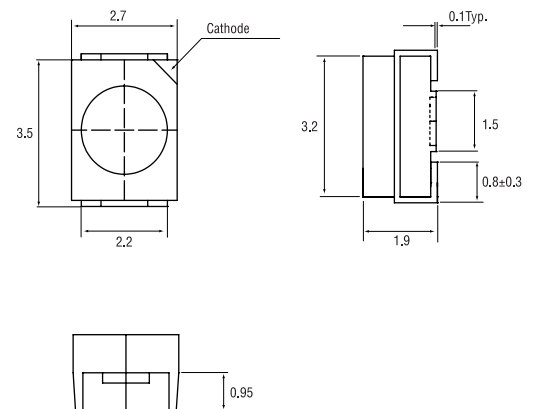
Item	Symbol	Value	Unit
DC Forward current	I_F	50	mA
Pulse forward current*	I_{FP}	150	mA
Reverse voltage	V_R	5	V
Power dissipation	P_D	200	mW
Operating temperature	T_{opr}	-30 to +85	°C
Storage temperature	T_{stg}	-30 to +100	°C
Lead soldering temperature	T_{sol}	260°C/5 sec	-

* Pulse width max. 10ms. Duty ratio max. 1/10

Electrical - Optical characteristics (Ta=25°C)

Item	Symbol	Condition	Min.	Typ.	Max.	Unit
DC Forward voltage	V_F	$I_F=20mA$	1.8	2.0	2.4	V
DC Reverse current	I_R	$V_R=5V$	-	-	10	μA
Dominant wavelength	λ_D	$I_F=20mA$	620	625	630	nm
Luminous intensity	I_v	$I_F=20mA$	330	500	750	nm
50% Power angle	$2\theta_{1/2}$	$I_F=20mA$	-	120	-	deg

Outline dimensions:



Directivity:

