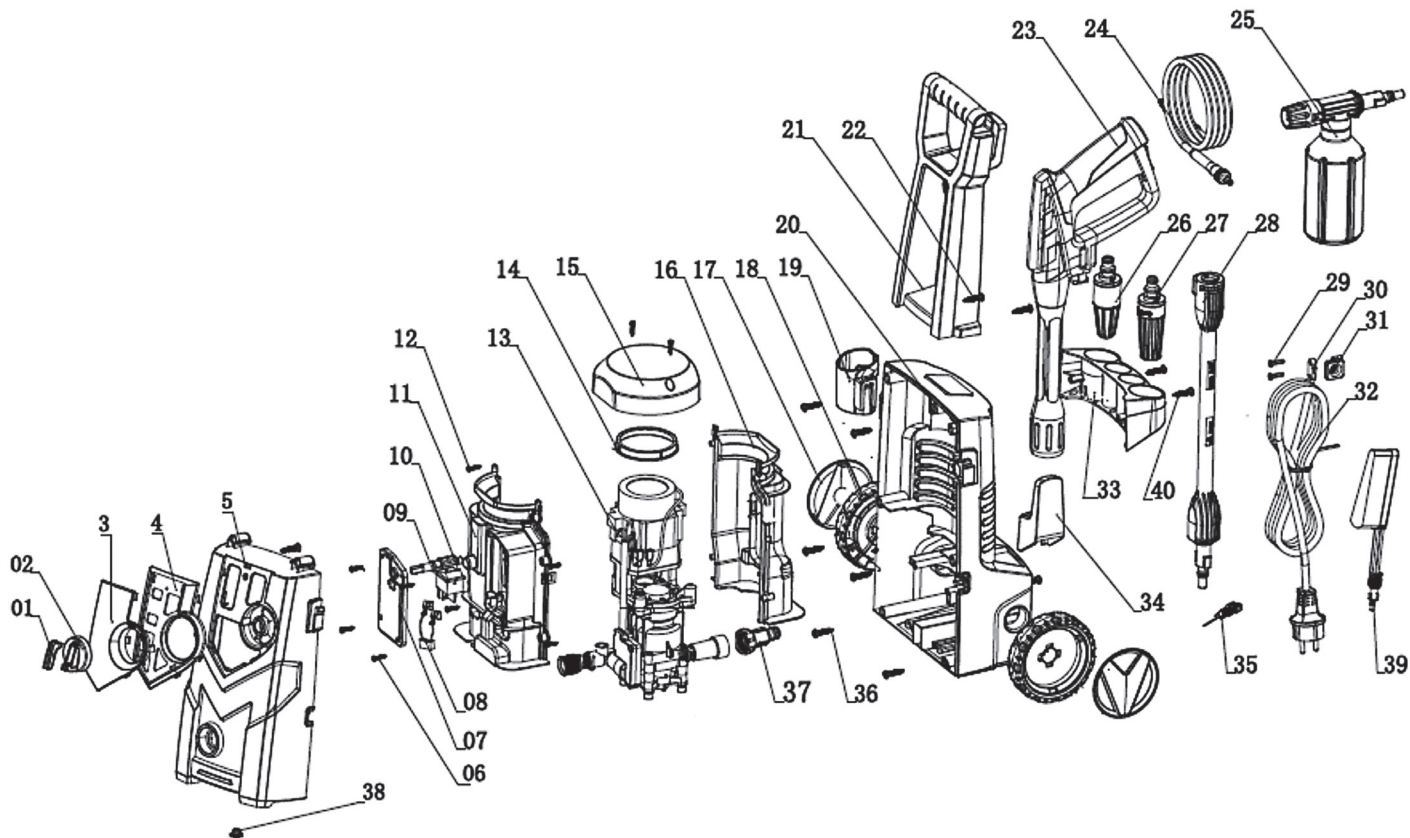




230-240V 135BAR

PRESSURE WASHER

00786 – PW1600/90D/RED SPARE PARTS DRAWING/LISTING



KEY No.	PART No.	STOCK No.	DESCRIPTION
1	YPW2200/110D-4	03060	Switch Assembly
2			
3			
4			
5			
19	YPW1600/90D-5	10705	Front Housing Assembly
21			
22			
34			
38			
6	YPW1600/90D-10	10708	Switch Box Assembly
7			
8			
9			
11	YPW1600/90D-13	11337	Motor & Pump Assembly
12			
13			
14			
15			
17	YPW1600/90D-18	11399	Wheel Assembly
18			

KEY No.	PART No.	STOCK No.	DESCRIPTION
20	YPW1600/90D-20	11403	Bottom Housing Assembly
33			
36			
35			
40			
23	YPW1600/90D-23	11770	Spray Gun Assembly
27			
28			
24	YPW1600/90D-24	02100	Hose and Connector
25	YPW1600/90D-25	11407	Soap Bottle
26	YPW2200/110D-37	05247	Turbo Nozzle
29	YPW2200/110D-49	08109	Cable Assembly
30			
31			
32			
37	YPW2200/110D-73	08607	Inlet Filter
39	APW210	61284	Fixed Brush

Helpline: +44 (0) 23 8049 4344 Sales Desk: +44 (0) 23 8049 4333 General Enquiries: +44 (0) 23 8026 6355 internet: drapertools.com email: sales@drapertools.com