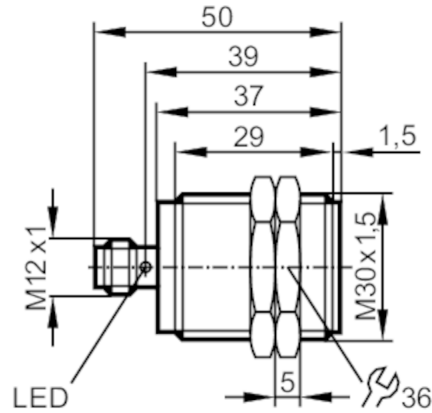


ANT430



RFID read/write head HF

DTRHF IBRWIDUS03



Application	
Application	detection of objects on transport equipment
Radio approval for	Europe; USA; Canada; Japan; Australia; China; Taiwan; India; Singapore; Ukraine
Electrical data	
Operating voltage [V]	19.2...28.8 DC; (supply only via the DTE10x evaluation unit (to EN 60950-1))
Current consumption [mA]	< 50
Protection class	III
Operating frequency [MHz]	13,56
RFID standard	ISO 15693
Detection zone	
Distance write/read head front [mm]	100
Distance write/read head side [mm]	50
Distance to the ID tag [mm]	referred to 30 mm coin tag; I-CODE SLI : ≤ 30
Interfaces	
Communication interface	DATA / DTE10x
Operating conditions	
Ambient temperature [°C]	-20...60
Storage temperature [°C]	-25...80
Protection	IP 67; IP 69K
Tests / approvals	
EMC	DIN EN 61000-6-2
Shock resistance	EN 60068-2-27 50 g 11 ms / 40 g (6 ms, continuous)
Vibration resistance	EN 60068-2-6 20 g 10...2000 Hz
Radio approval	EN 302 291-2 V1.1.1 / EN 300 330-2 V1.5.1

ANT430



RFID read/write head HF

DTRHF IBRWIDUS03

Mechanical data		
Weight	[g]	187.5
Housing		cylindrical
Mounting		flush mountable
Dimensions	[mm]	M30 x 1.5 / L = 50
Thread designation		M30 x 1.5
Materials		housing: stainless steel; Protective cover: PPS
Displays / operating elements		
Display	operation	1 x LED, green
	tag communication	1 x LED, yellow
Remarks		
Pack quantity		1 pcs.
Electrical connection		

Connector: 1 x M12



Connection

