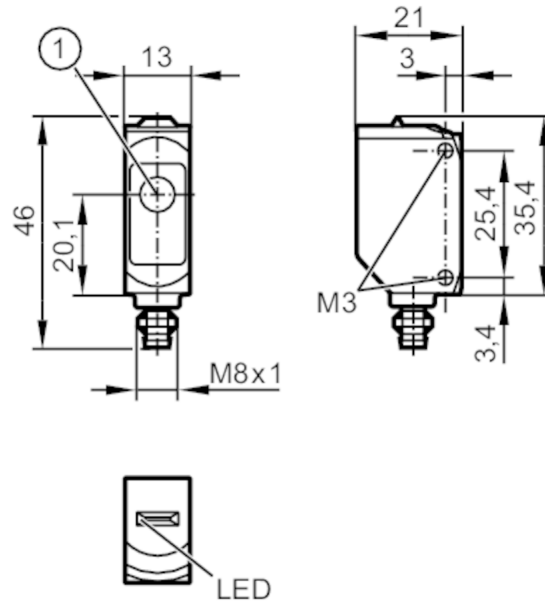


# O6S215



## Through-beam sensor transmitter

O6SIOOKG/AS/4P



1: light emission



### Product characteristics

Type of light	infrared light
Housing	rectangular
Dimensions [mm]	35.4 x 13 x 21

### Application

Function principle	Through-beam sensor
--------------------	---------------------

### Electrical data

Operating voltage [V]	10...30 DC
Current consumption [mA]	11; ((24 V))
Protection class	III
Type of light	infrared light
Wave length [nm]	850

### Detection zone

Transmitter / receiver	transmitter
Range [m]	< 15
Max. light spot diameter [mm]	460
Light spot dimensions refer to	at maximum range

### Operating conditions

Ambient temperature [°C]	-25...60
Protection	IP 65; IP 67

# O6S215



## Through-beam sensor transmitter

O6SIOOKG/AS/4P

### Tests / approvals

EMC		EN 60947-5-2	
MTTF	[years]		2920
UL approval		UL Approval no.	E002

### Mechanical data

Weight	[g]	17.7
Housing		rectangular
Dimensions	[mm]	35.4 x 13 x 21
Materials		housing: ABS; PPSU; connector thread: metal coated; Sealing: EPDM
Lens material		PMMA
Lens alignment		side lens
Material nut		metal, coated
Tightening torque	[Nm]	0.5

### Displays / operating elements

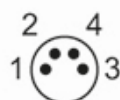
Display	operation	1 x LED, green
---------	-----------	----------------

### Remarks

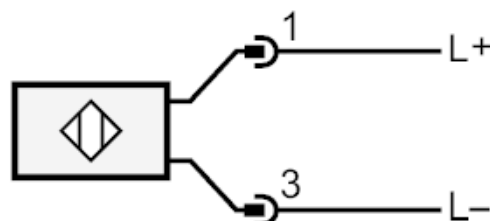
Remarks	operating voltage "supply class 2" according to cULus
Pack quantity	1 pcs.

### Electrical connection

Connector: 1 x M8; Locking: metal, coated



### Connection





## Through-beam sensor transmitter

O6SIOOKG/AS/4P

### Diagrams and graphs

excess gain graph

