

MB CAP ULTRA BUFFER MODULE

IN: 24VDC OUT: 24VDC/40A for max. 1A/170S

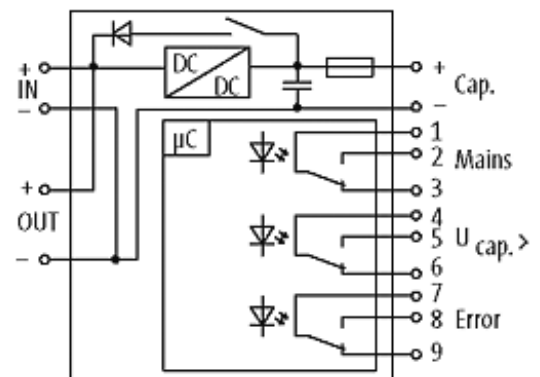
INPUT: 24 V DC (SELV/PELV)

OUTPUT: max. 40 A

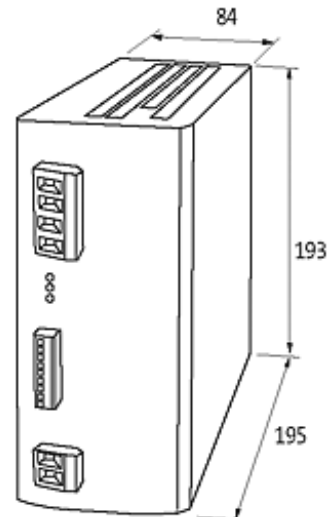
Buffer time: 3.6 s

[Link to Product](#)

Illustration



stay connected



Product may differ from Image

Approvals



Input

Input voltage	21.6...26.4 V DC
Input current	40 A
Inrush current	max. 36.5 A
Loading time	typ. 140 s; max. 300 s

General data

Standards	(EN 61000-6-2), (EN 61000-6-4)
Mounting method	DIN-rail mountable TH35-7.5/TH35-15 (EN 60715)
Efficiency	90 %
Temperature range	-20...+60 °C (storage temperature -20...+60 °C)

Output

Output voltage	25.5...19 V DC ± 2 %
Output current	max. 40 A (+60 °C)
Buffer time	3.6 s (40 A); 170 s (1 A)

Commercial data

country of origin	DE
customs tariff number	85322900
minimum order quantity	1