

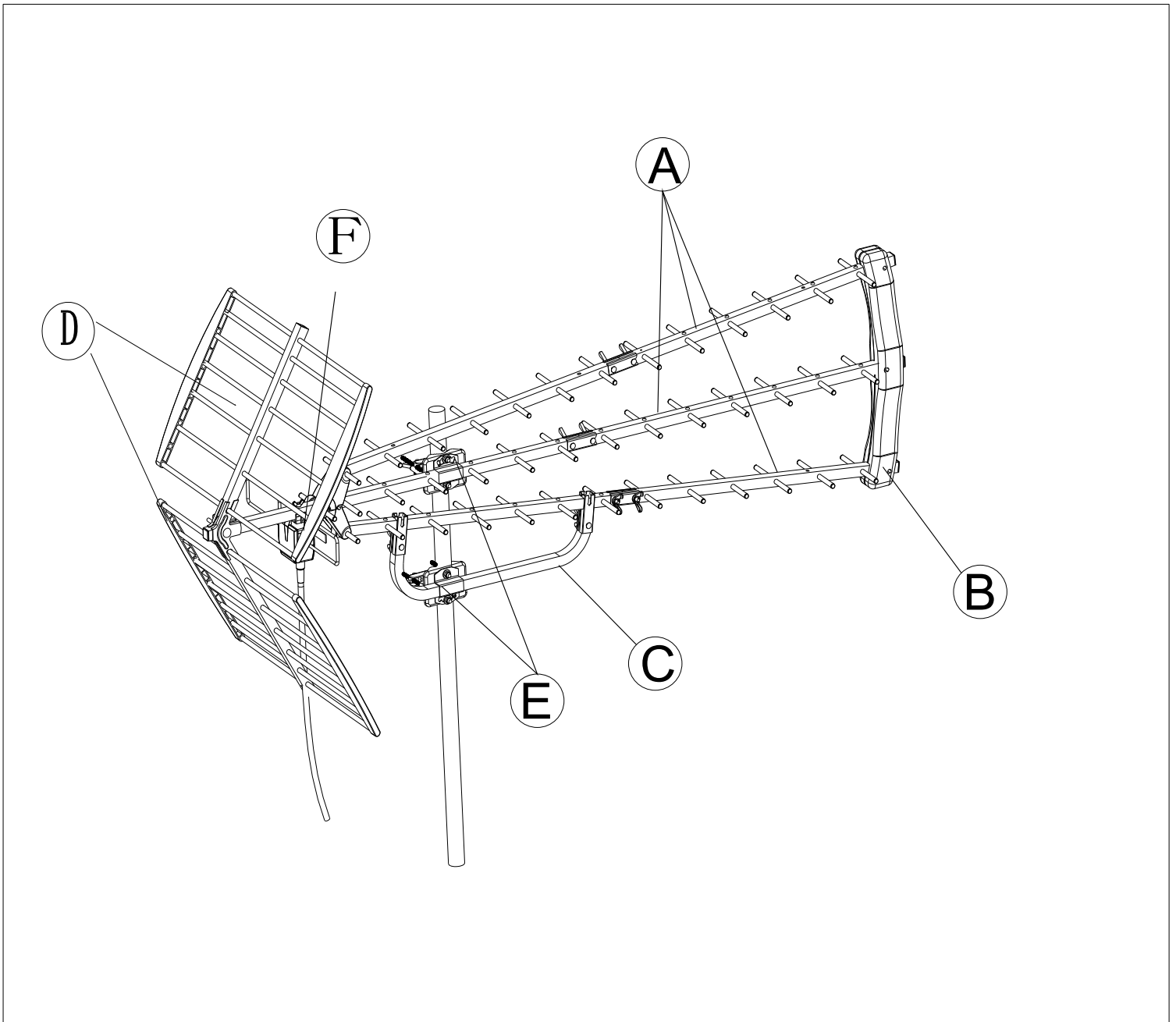
Model #30-2415  
 Deep Fringe Yagi UHF/HDTV Television Antenna

Distributed exclusively by:  
 MCM Electronics  
[www.mcmelectronics.com](http://www.mcmelectronics.com)

Technical data:

Frequency	Channel	Imped	No. of elements	Gain	Front-back ratio	Beam Width	Length
470~862 MHz	21-69	75 $\Omega$	70	17-18dB	27dB	H32° / V 35°	1430mm

Antenna connection:



# Antenna Assembly

