
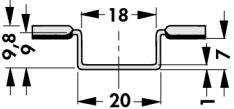
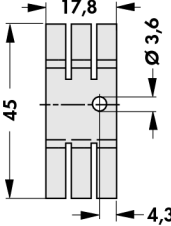
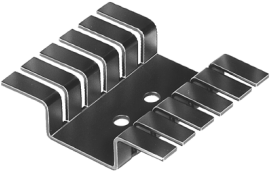
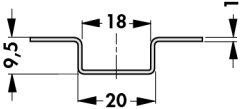
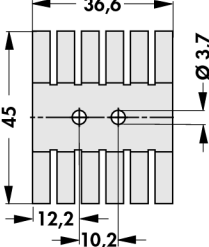
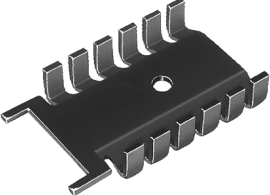
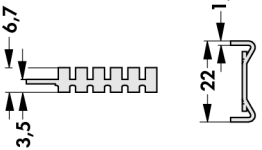
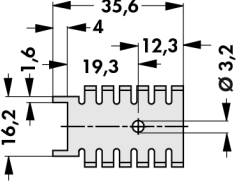
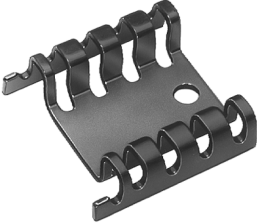
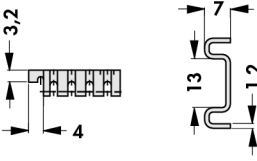
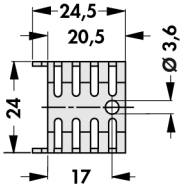
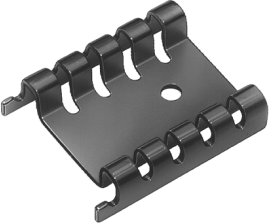
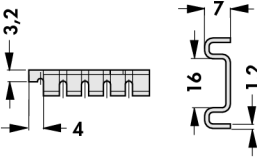
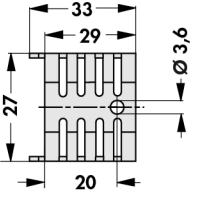


Heatsinks for transistors in plastic case

art. no. FK 227 SA L 1			22 K/W TO 220	
art. no. FK 238 SA L 1			12 K/W TO 220	

material: aluminium
 surface treatment: black anodised

art. no. FK 218 32 ...			21 K/W SOT 32 TO 220	
art. no. FK 232 220 ...			21 K/W TO 220	
art. no. FK 233 220 ...			20,2 K/W TO 220	
please indicate:		... surface treatment SA=black anodised MI=solderable		

Technical introduction
 Hole pattern
 Heatsink profile-overview
 Thermal conductive paste

→ A 2 - 7
 → A 21
 → A 13 - 16
 → E 12

Thermal conductive foil
 Thermal conductive glue
 Kapton insulator washers

→ E 5
 → E 14
 → E 8