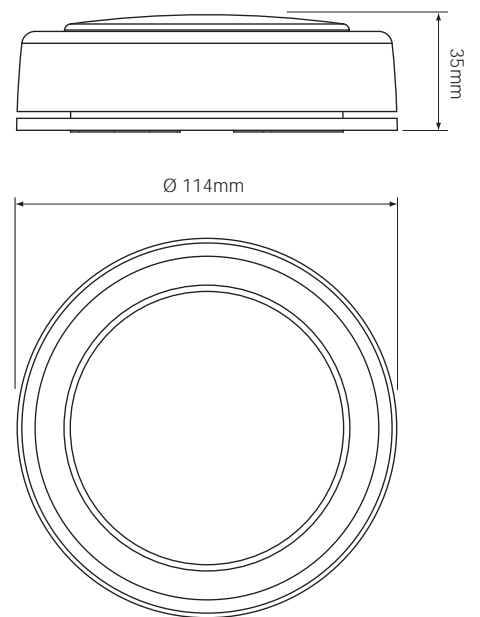


The third generation Squashni G3 amalgamates the best features from the previous Squashni and Squashni Micro versions. The large flat surface allows the mounting of a large range of European detectors, while the high efficiency and low operating current permit compatibility with many systems.



## Technical Specification

Voltage	18 - 28Vdc
Current	4/5mA
Sound Output	90dB(A)
Tones	8
Volume Control	10dB
Monitoring	Reverse polarity
Temperature	- 10°C to + 55°C
Protection	IP21C
Construction	ABS
Weight	0.16Kg
Colours	White



### Features

- Universal detector platform
- First fix base
- Low current consumption
- Tamper proof cap option

### Benefits

- Fits the majority of detectors for increased flexibility
- Speeds up installation
- Maximises the number of devices on a system
- For use without a detector

### Reference

SQG3/W

### Catalogue No.

666058FULL-0098X

### Description

Squashni G3 Sounder white