



12500 TI Boulevard, MS 8640, Dallas, Texas 75243

**PCN#20181205001.0**

**Pin One Dot Symbolization change – Adding Pin One Dot for Select SC70, SOT-23,  
and SOT-223 Devices  
Information Only**

**Date:** January 07, 2019  
**To:** PREMIER FARNELL PCN

Dear Customer:

This is an information-only announcement of a change to a device that is currently offered by Texas Instruments.

The changes discussed within this PCN are for your information only. Please see the attachment details for the planned implementation date.

This notification period is per TI's standard process. Any negotiated alternative change requirements will be provided via the customer's defined process. Customers with previously negotiated, special requirements will be handled separately. Any inquiries should be directed to your local Field Sales Representative.

For questions regarding this notice, contact your local Field Sales Representative or the PCN Manager ([PCN\\_ww\\_admin\\_team@list.ti.com](mailto:PCN_ww_admin_team@list.ti.com)).

Sincerely,

PCN Team  
SC Business Services

**20181205001.0**  
**Attachment: 1**

**Products Affected:**

The devices listed on this page are a subset of the complete list of affected devices. According to our records, these are the devices that you have purchased within the past twenty-four (24) months. The corresponding customer part number is also listed, if available.

<b>DEVICE</b>	<b>CUSTOMER PART NUMBER</b>
DS90LT012ATMF/NOPB	null
DS90LV011ATMF/NOPB	null
DS90LV012ATMF/NOPB	null
LM1117IMP-3.3/NOPB	null
LM1117IMP-5.0/NOPB	null
LM1117IMP-ADJ/NOPB	null
LM1117IMPX-3.3/NOPB	null
LM1117IMPX-5.0/NOPB	null
LM1117MP-1.8/NOPB	null
LM1117MP-2.5/NOPB	null
LM1117MP-3.3/NOPB	null
LM1117MP-5.0/NOPB	null
LM1117MP-ADJ/NOPB	null
LM1117MPX-3.3/NOPB	null
LM1117MPX-5.0	null
LM1117MPX-5.0/NOPB	null
LM1117MPX-ADJ/NOPB	null
LM20BIM7/NOPB	null
LM20CIM7/NOPB	null
LM2611AMF	null
LM2611BMF/NOPB	null
LM27313XMF/NOPB	null
LM2731XMF/NOPB	null
LM2731YMF/NOPB	null
LM2733XMF/NOPB	null
LM2733YMF/NOPB	null
LM2735XMF/NOPB	null
LM2735YMF/NOPB	null
LM2830XMF/NOPB	null
LM2831XMF/NOPB	null
LM2936MP-3.3/NOPB	null
LM2936MP-5.0/NOPB	null
LM2937IMP-10/NOPB	null
LM2937IMP-12/NOPB	null
LM2937IMP-2.5/NOPB	null
LM2937IMP-3.3/NOPB	null
LM2937IMP-5.0/NOPB	null
LM2937IMP-8.0/NOPB	null
LM2937IMPX-5.0/NOPB	null
LM2940IMP-12/NOPB	null
LM2940IMP-15/NOPB	null
LM2940IMP-5.0/NOPB	null
LM317AEMP/NOPB	null
LM317AEMPX/NOPB	null
LM317EMP/NOPB	null
LM321MF/NOPB	null
LM337IMP	null
LM337IMP/NOPB	null
LM340MP-5.0/NOPB	null
LM340MPX-5.0/NOPB	null
LM3410XMF/NOPB	null
LM3410XQMF/NOPB	null
LM3480IM3-12/NOPB	null
LM3480IM3-3.3/NOPB	null
LM3480IM3-5.0	null
LM3480IM3-5.0/NOPB	null
LM3480IM3X-3.3/NOPB	null
LM3480IM3X-5.0/NOPB	null

LM3670MF-3.3/NOPB	null
LM3671MF-1.2/NOPB	null
LM3671MF-2.5/NOPB	null
LM3671MF-3.3/NOPB	null
LM3724IM5-3.08/NOPB	null
LM385M3-1.2/NOPB	null
LM385M3-2.5/NOPB	null
LM385M3X-1.2/NOPB	null
LM385M3X-2.5/NOPB	null
LM3940IMP-3.3/NOPB	null
LM397MF/NOPB	null
LM4040AIM3-10.0/NOPB	null
LM4040AIM3-2.0/NOPB	null
LM4040AIM3-2.5/NOPB	null
LM4040AIM3-4.1/NOPB	null
LM4040AIM3-5.0/NOPB	null
LM4040BIM3-10.0/NOPB	null
LM4040BIM3-2.5/NOPB	null
LM4040BIM3-4.1/NOPB	null
LM4040BIM3-5.0/NOPB	null
LM4040CIM3-2.5/NOPB	null
LM4040CIM3-4.1/NOPB	null
LM4040CIM3-5.0/NOPB	null
LM4040DIM3-10.0/NOPB	null
LM4040DIM3-2.5/NOPB	null
LM4040DIM3-4.1/NOPB	null
LM4040DIM3-5.0/NOPB	null
LM4040EIM3-2.5/NOPB	null
LM4041AIM3-1.2/NOPB	null
LM4041BIM3-1.2/NOPB	null
LM4041CEM3-ADJ/NOPB	null
LM4041CIM3-1.2/NOPB	null
LM4041CIM3-ADJ/NOPB	null
LM4041DEM3-1.2/NOPB	null
LM4041DIM3-1.2/NOPB	null
LM4041DIM3-ADJ/NOPB	null
LM4050AEM3-2.5/NOPB	null
LM4050AIM3-2.5/NOPB	null
LM4050AIM3-4.1/NOPB	null
LM4050AIM3-5.0/NOPB	null
LM4050BIM3-2.5/NOPB	null
LM4050BIM3-4.1/NOPB	null
LM4050BIM3-5.0/NOPB	null
LM4050CIM3-2.5/NOPB	null
LM4051AIM3-1.2/NOPB	null
LM4051CIM3-1.2/NOPB	null
LM4120AIM5-2.0/NOPB	null
LM4120AIM5-2.5/NOPB	null
LM4120AIM5-3.0/NOPB	null
LM4120AIM5-3.3/NOPB	null
LM4120AIM5-5.0/NOPB	null
LM4120IM5-3.0/NOPB	null
LM4128AMF-2.5/NOPB	null
LM4128AMF-3.3/NOPB	null
LM4128DMF-1.8/NOPB	null
LM4132AMF-2.5/NOPB	null
LM4132AMF-3.3/NOPB	null
LM4132AMF-4.1/NOPB	null
LM4132BMF-2.5/NOPB	null
LM4132BMF-3.3/NOPB	null
LM4132BMF-4.1/NOPB	null
LM431AIM3/NOPB	null
LM431BIM3/NOPB	null
LM431CCM3/NOPB	null
LM4431M3-2.5/NOPB	null
LM45BIM3/NOPB	null
LM45CIM3/NOPB	null
LM45CIM3X	null
LM50BIM3/NOPB	null
LM50CIM3/NOPB	null
LM50CIM3X/NOPB	null

LM60BIM3/NOPB	null
LM60CIM3/NOPB	null
LM61BIM3/NOPB	null
LM61CIM3/NOPB	null
LM6211MF/NOPB	null
LM7301IM5	null
LM7301IM5/NOPB	null
LM7301IM5X/NOPB	null
LM7321MF/NOPB	null
LM7321MFE/NOPB	null
LM809M3-2.63/NOPB	null
LM809M3-2.93/NOPB	null
LM809M3-3.08	null
LM809M3-3.08/NOPB	null
LM809M3-4.63/NOPB	null
LM8261M5/NOPB	null
LM8261M5X	null
LM828M5/NOPB	null
LM94021BIMG/NOPB	null
LM94022BIMG/NOPB	null
LM95071CIMF/NOPB	null
LMC7101AIM5/NOPB	null
LMC7101AIM5X/NOPB	null
LMC7101BIM5/NOPB	null
LMC7101BIM5X/NOPB	null
LMC7111BIM5/NOPB	null
LMC7211AIM5/NOPB	null
LMC7211BIM5/NOPB	null
LMC7215IM5/NOPB	null
LMC7221AIM5/NOPB	null
LMH6559MF/NOPB	null
LMH6629MFE/NOPB	null
LMH6642MF	null
LMH6642MF/NOPB	null
LMH6645MF/NOPB	null
LMP2011MF/NOPB	null
LMP2021MFE/NOPB	null
LMP7701MF/NOPB	null
LMP7715MF/NOPB	null
LMP7731MF/NOPB	null
LMR10510XMFE/NOPB	null
LMR10515XMFE/NOPB	null
LMR10515YMFE/NOPB	null
LMR62014XMFE/NOPB	null
LMR62421XMFE/NOPB	null
LMR64010XMFE/NOPB	null
LMT86DCKT	null
LMT87DCKT	null
LMV2011MF/NOPB	null
LMV321M5/NOPB	null
LMV321M5X/NOPB	null
LMV321M7/NOPB	null
LMV331M5/NOPB	null
LMV331M7/NOPB	null
LMV331M7X/NOPB	null
LMV431ACM5/NOPB	null
LMV431AIM5/NOPB	null
LMV431AIMF/NOPB	null
LMV431BIMF/NOPB	null
LMV431IM5/NOPB	null
LMV641MGE/NOPB	null
LMV651MG/NOPB	null
LMV710M5/NOPB	null
LMV7219M5/NOPB	null
LMV7219M7/NOPB	null
LMV721M5/NOPB	null
LMV7235M5/NOPB	null
LMV7235M7/NOPB	null
LMV7239M5/NOPB	null
LMV7239M7/NOPB	null
LMV7271MF/NOPB	null

LMV7271MG/NOPB	null
LMV771MG/NOPB	null
LMV841MG/NOPB	null
LMV931MF/NOPB	null
LP2980AIM5-3.3/NOPB	null
LP2980AIM5-5.0/NOPB	null
LP2980IM5-3.3/NOPB	null
LP2980IM5-5.0/NOPB	null
LP2980IM5-ADJ	null
LP2980IM5-ADJ/NOPB	null
LP2981AIM5-3.3/NOPB	null
LP2981AIM5-5.0/NOPB	null
LP2981IM5-5.0/NOPB	null
LP2982AIM5-5.0/NOPB	null
LP2983AIM5-1.2/NOPB	null
LP2985AIM5-1.8/NOPB	null
LP2985AIM5-3.0/NOPB	null
LP2985AIM5-3.3/NOPB	null
LP2985AIM5-4.5/NOPB	null
LP2985AIM5-5.0/NOPB	null
LP2985AIM5X-3.3/NOPB	null
LP2985IM5-1.8/NOPB	null
LP2985IM5-2.5/NOPB	null
LP2985IM5-2.8/NOPB	null
LP2985IM5-3.3/NOPB	null
LP2985IM5-3.6/NOPB	null
LP2985IM5-5.0/NOPB	null
LP2992AIM5-1.5/NOPB	null
LP2992AIM5-1.8/NOPB	null
LP2992AIM5-2.5/NOPB	null
LP2992AIM5-3.3/NOPB	null
LP2992AIM5-5.0/NOPB	null
LP2992IM5-1.5/NOPB	null
LP2992IM5-2.5/NOPB	null
LP2992IM5-3.3/NOPB	null
LP2992IM5-5.0/NOPB	null
LP3470M5-3.08/NOPB	null
LP38692MP-3.3/NOPB	null
LP38692MP-5.0/NOPB	null
LP38692MP-ADJ/NOPB	null
LP38693MP-3.3/NOPB	null
LP38693MP-ADJ/NOPB	null
LP3871EMP-3.3/NOPB	null
LP3872EMP-3.3/NOPB	null
LP3875EMP-ADJ/NOPB	null
LP3961EMP-1.8/NOPB	null
LP3964EMP-ADJ/NOPB	null
LP3965EMP-2.5/NOPB	null
LP3965EMP-3.3/NOPB	null
LP3965EMP-ADJ/NOPB	null
LP3985IM5-2.5/NOPB	null
LP3985IM5-3.0/NOPB	null
LP3985IM5-3.3/NOPB	null
LP3985IM5-5.0/NOPB	null
LP3990MF-3.3/NOPB	null
LP5907MFX-1.2/NOPB	null
LP5907MFX-3.1/NOPB	null
LP5951MF-3.3/NOPB	null
LPV511MG/NOPB	null
LPV521MGE/NOPB	null
LP5951MG-2.5/NOPB	null

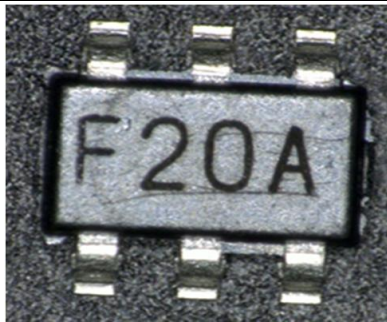
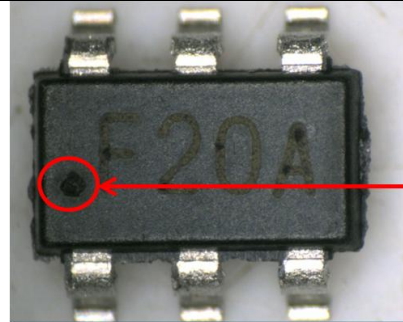

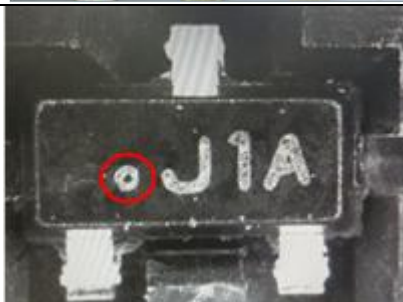


Technical details of this Product Change follow on the next page(s).

<b>PCN Number:</b>	20181205001	<b>PCN Date:</b>	Jan. 7, 2019
<b>Title:</b>	Pin One Dot Symbolization change – Adding Pin One Dot for Select SC70, SOT-23, and SOT-223 Devices		
<b>Customer Contact:</b>	<a href="#">PCN Manager</a>	<b>Dept:</b>	Quality Services
<b>Change Type:</b>			
<input type="checkbox"/>	Assembly Site	<input type="checkbox"/>	Assembly Process
<input type="checkbox"/>	Design	<input type="checkbox"/>	Datasheet
<input type="checkbox"/>	Test Site	<input checked="" type="checkbox"/>	Packing/Shipping/Labeling
<input type="checkbox"/>	Wafer Bump Site	<input type="checkbox"/>	Wafer Bump Material
<input type="checkbox"/>	Wafer Fab Site	<input type="checkbox"/>	Wafer Fab Materials
<input type="checkbox"/>		<input type="checkbox"/>	Part number change
<input type="checkbox"/>		<input type="checkbox"/>	Assembly Materials
<input type="checkbox"/>		<input type="checkbox"/>	Mechanical Specification
<input type="checkbox"/>		<input type="checkbox"/>	Test Process
<input type="checkbox"/>		<input type="checkbox"/>	Wafer Bump Process
<input type="checkbox"/>		<input type="checkbox"/>	Wafer Fab Process

### PCN Details

#### Description of Change:

This letter is to inform of the addition of a Pin One dot in the devices symbolization of select SC70, SOT-23, and SOT-223 Devices:

	Current Symbolization (No Pin One Dot)	New Symbolization (With Pin One Dot)
<b>SC70 Example</b>		
<b>SOT-23 3 Lead example</b>		
<b>SOT-23 5 Lead example</b>		

**SOT-223 4  
Lead example**



**Reason for Change:**

Standardization

**Anticipated impact on Fit, Form, Function, Quality or Reliability (positive / negative):**

None

**Changes to product identification resulting from this PCN:**

Device symbolization

**Product Affected:**

For affected devices, see page 2

For questions regarding this notice, e-mails can be sent to the regional contacts shown below or your local Field Sales Representative.

<b>Location</b>	<b>E-Mail</b>
USA	<a href="mailto:PCNAmericasContact@list.ti.com">PCNAmericasContact@list.ti.com</a>
Europe	<a href="mailto:PCNEuropeContact@list.ti.com">PCNEuropeContact@list.ti.com</a>
Asia Pacific	<a href="mailto:PCNAsiaContact@list.ti.com">PCNAsiaContact@list.ti.com</a>
Japan	<a href="mailto:PCNJapanContact@list.ti.com">PCNJapanContact@list.ti.com</a>