

Interchangeable jaw grip, soft

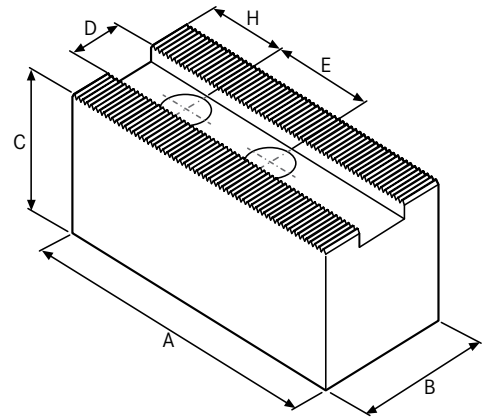
Made from steel

ATORN[®]

Delivery

3 pieces in a set

Art. No.	22430 558
Jaws length	160 mm
Jaws width	60 mm
Jaws height	140 mm
Jaw length x jaw width x jaw height	160 x 60 x 140 mm
Groove width	25.5 mm
Drilling clearance	38 mm
Toothing	3/32 inch x 90°
Suitable for thread	M20
Material of the jaws	Steel



EAN-Code

4050293686913