

TECHNICAL SPECIFICATIONS

D-Sub Hood:

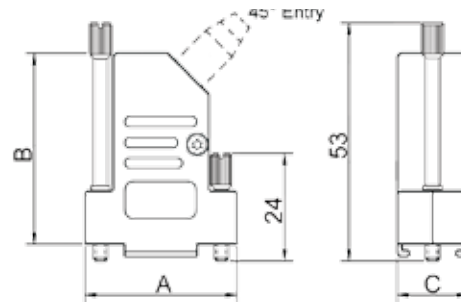
Material: Zinc, Nickel Plated
 Operating Temperature: -40°C to +120°C
 Cable Entry: 45° Side Entry
 Rubber Grommet RGS
 Strain relief: Clamp + Insert
 Thumbscrews: **Long Jackscrews**
 UNC 4-40 (Standard)
 M2,5 or M3 on request
 Cable O.D: Up to 11.5mm

D-Sub Crimp:

Insulator: PBT, Black, UL94 V-0
 Shell: Stamped Steel, Tin Plated
 Contact pins: Copper Alloy
 Machined pins Class 2: 200 inserts min
 Contacts Plating: Hard Gold over Nickel
 Operating Temperature: -55°C to +125°C
 Test voltage: 1000V
 Insulator resistance: <5GΩ
 Crimp Area (AWG): AWG 24-20
 0.2 - 0.6mm²

Features:

- Full Metal D-Sub hood
- Long Jackscrews
- Universal Rubber Grommet
- 360° EMI Shielding
- Quick assembly
- Pre-mounted locking screws
- Supports all types of cables
- Suitable for any common D-Sub connector
- Available in Sizes 9-15-25-37



D-Sub-Hood

Size DTSL	Dim A	Dim B	Dim C
9-way	32,2	42,0	15,0
15-way	40,8	42,3	15,0
25-way	54,0	42,3	15,0
37-way	70,5	48,0	15,0

Ordering information:

D-Sub Connector Kits (100 inserts min.)

Size:	P/N - Kitted:	Product Code - MALE Conn. Kit
9-way	6355-0067-01	DTSL09-LJSRG-S-DBCP-K
15-way	6355-0067-02	DTSL15-LJSRG-S-DBCP-K
25-way	6355-0067-03	DTSL25-LJSRG-S-DBCP-K
37-way	6355-0067-04	DTSL37-LJSRG-S-DBCP-K

Size:	P/N - Kitted:	Product Code - FEMALE Conn. Kit
9-way	6355-0067-11	DTSL09-LJSRG-S-DBCS-K
15-way	6355-0067-12	DTSL15-LJSRG-S-DBCS-K
25-way	6355-0067-13	DTSL25-LJSRG-S-DBCS-K
37-way	6355-0067-14	DTSL37-LJSRG-S-DBCS-K



Encitech AB
 Rörkullsvägen 4
 SE-302 41 HALMSTAD, Sweden

Tel.: +46-(0)35-15 13 90
 Fax: +46-(0)35-15 13 99

www.encitech.com