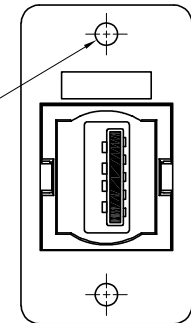
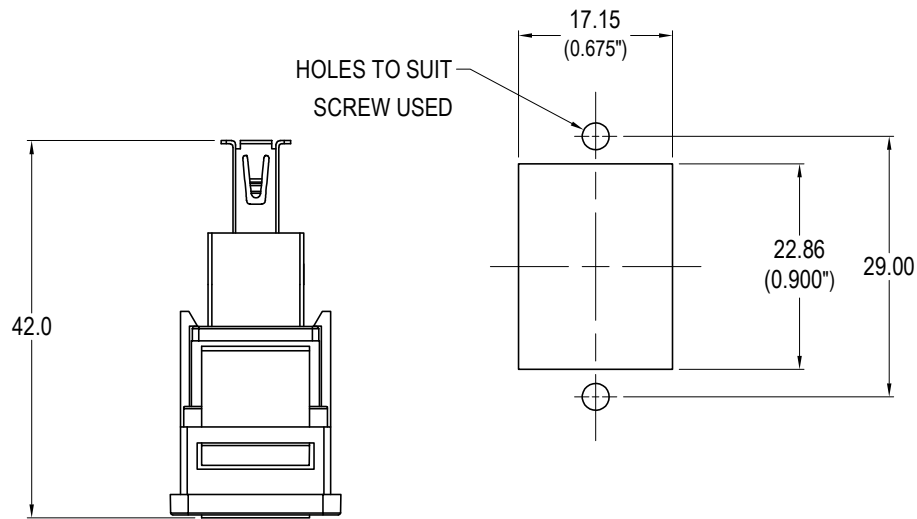
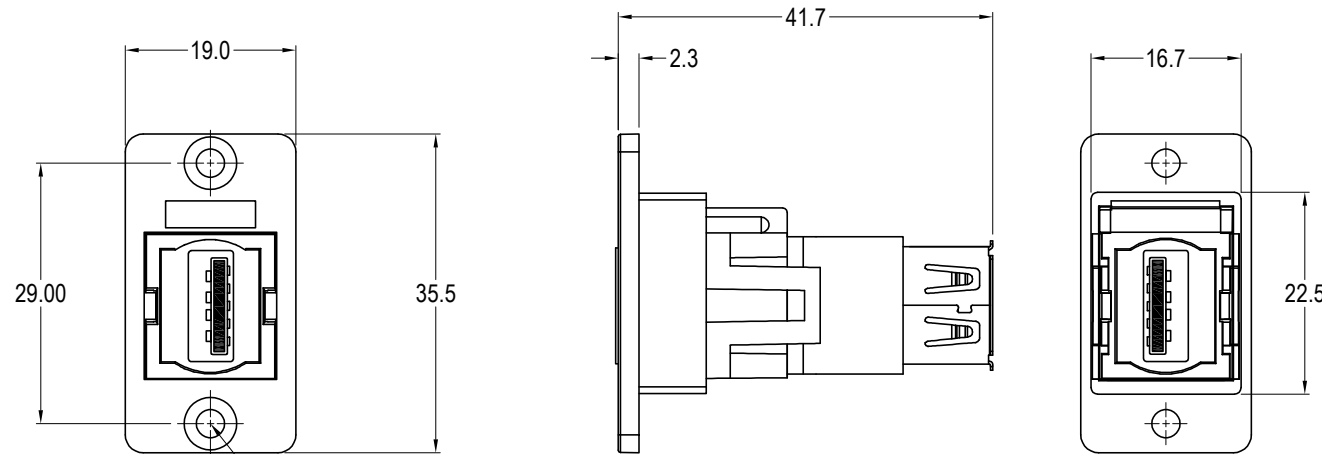


ISS.	AMEND	DATE
1	ISSUED	16/09/20



PLAIN HOLE VARIANTS  
 'X' VERSION Ø2.5  
 'X1' VERSION Ø3.2



3x HOLE VARIANTS  
 Ø3.2mm CSK 90° x Ø5.85  
 'X' PLAIN Ø2.5 HOLES  
 'X1' PLAIN Ø3.2 HOLES

- Specification:
1. Voltage rating: 30V AC
  2. Current rating: 1.8A max
  3. Contact resistance: 50mΩ max
  4. Insulation resistance: 20MΩ min
  5. Dielectric withstanding voltage: 500V AC
  6. Operating Temperature: -20°C to 50°C

- Material:
1. Insert: ABS UL94 HB
  2. Frame: Polyamide UL94 V-2
  3. Inner Overmouldings: PE + PVC
  4. Shell: Nickel plated steel
  5. Contacts: Gold Plated

VARIANTS	
PART NO.	HOLE DETAILS
CP30605N	HOLE Ø3.2 x CSK 90° x Ø5.85
CP30605NX	PLAIN HOLE Ø2.5
CP30605NX1	PLAIN HOLE Ø3.2

**RoHS**  
 COMPLIANT

TOLERANCE  
 NO DEC. PLACE ±  
 1 DEC. PLACE ±  
 2 DEC. PLACE ±  
 HOLE Ø ±  
 ANGLES ±  
 UNLESS OTHERWISE STATED

**Cliff Electronic Components Ltd.**

76 Holmethorpe Avenue, Holmethorpe Industrial Estate,  
 Redhill, Surrey, RH1 2PF, England, UK  
 Tel: 01737-771375 Fax: 01737-766012 Website: www.cliffuk.co.uk

THE CONTENTS OF THIS DOCUMENT MUST NOT BE COPIED OR DISCLOSED TO A 3rd PARTY WITHOUT WRITTEN PERMISSION OF CLIFF UK. © 2020

DIMENSIONS IN MILLIMETERS UNLESS OTHERWISE STATED. WORK TO DIMENSIONS. REMOVE ALL BURRS. IF IN DOUBT ASK.

3rd ANGLE PROJECTION:

DO NOT SCALE

MATERIAL: See Notes

FINISH: See Notes

DRAWN: T.J.O.

APPROVED: D.P.J.

TITLE: FRONT MOUNT SLIM FT USB3 A-A

DRWG. No. CP30605N

FORM: A4DRWGH