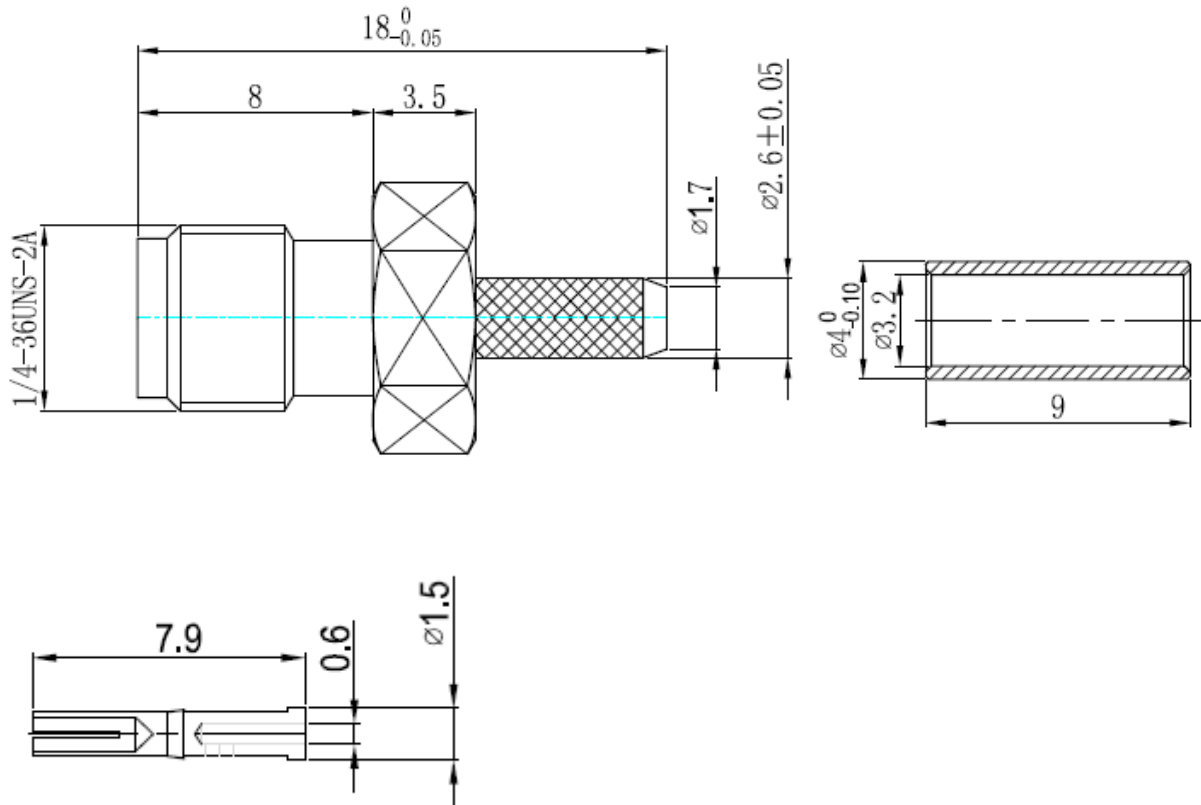


Data Sheet

SMA Socket for Crimping RG174



	Material	Plating
Shell	Brass	Gold plated
Pin	Brass	Gold plated
Crimping suite	H62 & T2	Ni

WEIGHT	SCALE
	2:1

