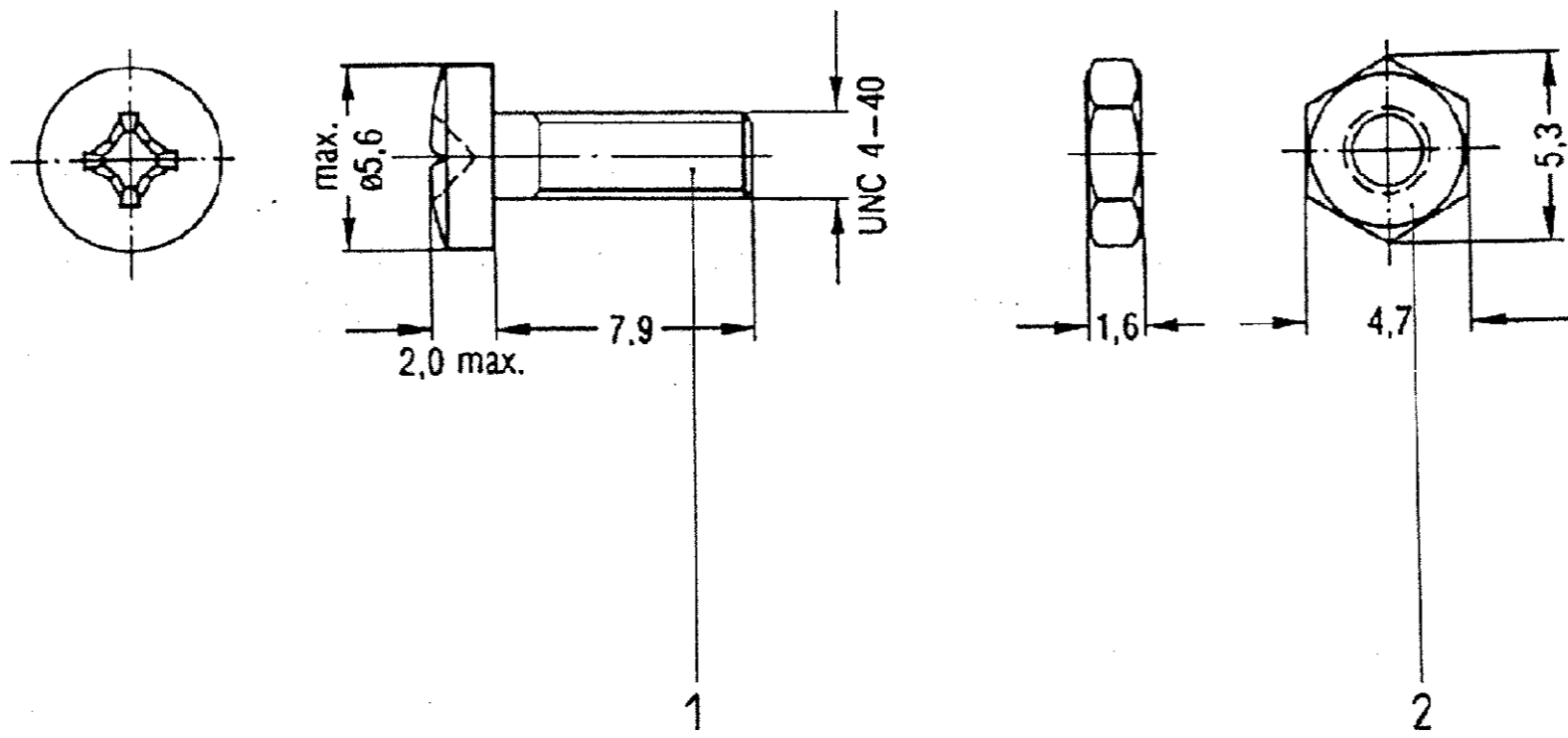


THIS INFORMATION IS CONFIDENTIAL AND PROPRIETARY TO TYCO ELECTRONICS CORPORATION AND ITS WORLDWID
 SUBSIDIARIES AND AFFILIATES. IT MAY NOT BE DISCLOSED TO ANYONE, OTHER THAN TYCO ELECTRONICS PERSONEL,
 WITHOUT WRITTEN AUTHORIZATION FROM TYCO ELECTRONICS CORPORATION, HARRISBURG, PENNSYLVANIA USA.

PROPRIETARY



NOTE:

1 OBSOLETE PARTS: OBSOLETE CIS STREAMLINING
 PER D.RENAUD/D.SINISI

Aktuelles Sachnummern.
 Kontaktieren Sie Tyco Electronics
 für Weitere Varianten

Altes Sachnummer	Tyco Sachnummer	
V42254-A162-V1	2-1393560-9	
V42254-A162-V2	3-1393560-0	OBSOLETE 1

tyco Electronics		TYCO ELECTRONICS CORPORATION			SCALE 5:1	WEIGHT		
		OOSTKAMP - BELGIUM		<table border="1" style="font-size: 8px;"> <tr> <td>LOC</td> <td>DIMENSIONS</td> </tr> <tr> <td>GW</td> <td>IN MM</td> </tr> </table>	LOC	DIMENSIONS	GW	IN MM
LOC	DIMENSIONS							
GW	IN MM							
		DATE 29.09.88		PART NAME Bolzensatz				
		NAME De Petter						
		DEP. PD Com						
				PART NO. V42254-A162-V1-* -27				
A1	ECO-09-026495	NOV09	AEG	TOLERANCE UNLESS SPECIFIED OTHERWISE				
A	WO 01/7022	19.12.00	VS					
01		07.10.88	DPI	Customer Drawing Nr. C 2-1393560-9				
REV.	CHANGE ORDER	DATE	APP.					