



ENGLISH

Datasheet

DC Axial Fan, 40 x 40 x 20mm, 11.9m/h, 0.8W, 12 V dc (OD4020 Series)

RS Stock number [541-4892](#)



| RS Part Number | Orion Part Number | Speed (RPM) | Airflow (CFM) | Noise (db) | Volts (DC) | Voltage Range | Current (Amps) | Lead Type |
|----------------|-------------------|-------------|---------------|------------|------------|---------------|----------------|-----------|
| 5414915 | | 7800 | 9 | 32 | 12 | 7~14 | 0.10 | Wire |
| 5414909 | | 6900 | 7.8 | 28.5 | 12 | 7~15 | 0.08 | Wire |
| 5414892 | | 6200 | 7 | 25 | 12 | 7~16 | 0.07 | Wire |
| 5415160 | | 7800 | 9 | 32 | 24 | 10~27 | 0.09 | Wire |
| 5415154 | | 6900 | 7.8 | 28.5 | 24 | 10~27 | 0.07 | Wire |
| 5415148 | | 6200 | 7 | 25 | 24 | 10~27 | 0.06 | Wire |

Frame and Impeller

PBT, UL94V-0 Thermoplastic

Available Options

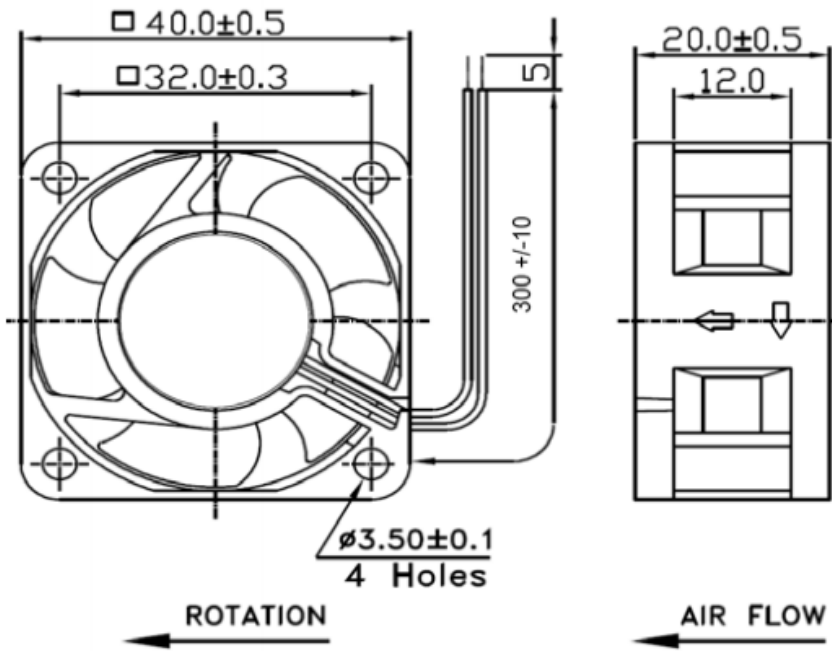
Tachometer

Locked Rotor Alarm

Finger Guard: G40-2

Plastic Guard: G40P

Filter Kit: GRM40-30, GRM40-45

Drawing(mm):

*Drawing for Dimensional Reference Only

MOTOR

Brushless DC, polarity protected, locked rotor protected (current limited), auto restart

INSULATION RESISTANCE

Min. 10 M ohms at 500VDC

LIFE EXPECTANCY (L10)

Ball Bearing 60,000 Hours

Operating Temperature

-10C ~ +70C

Safety Approvals

UL/CUL, TUV, CE