

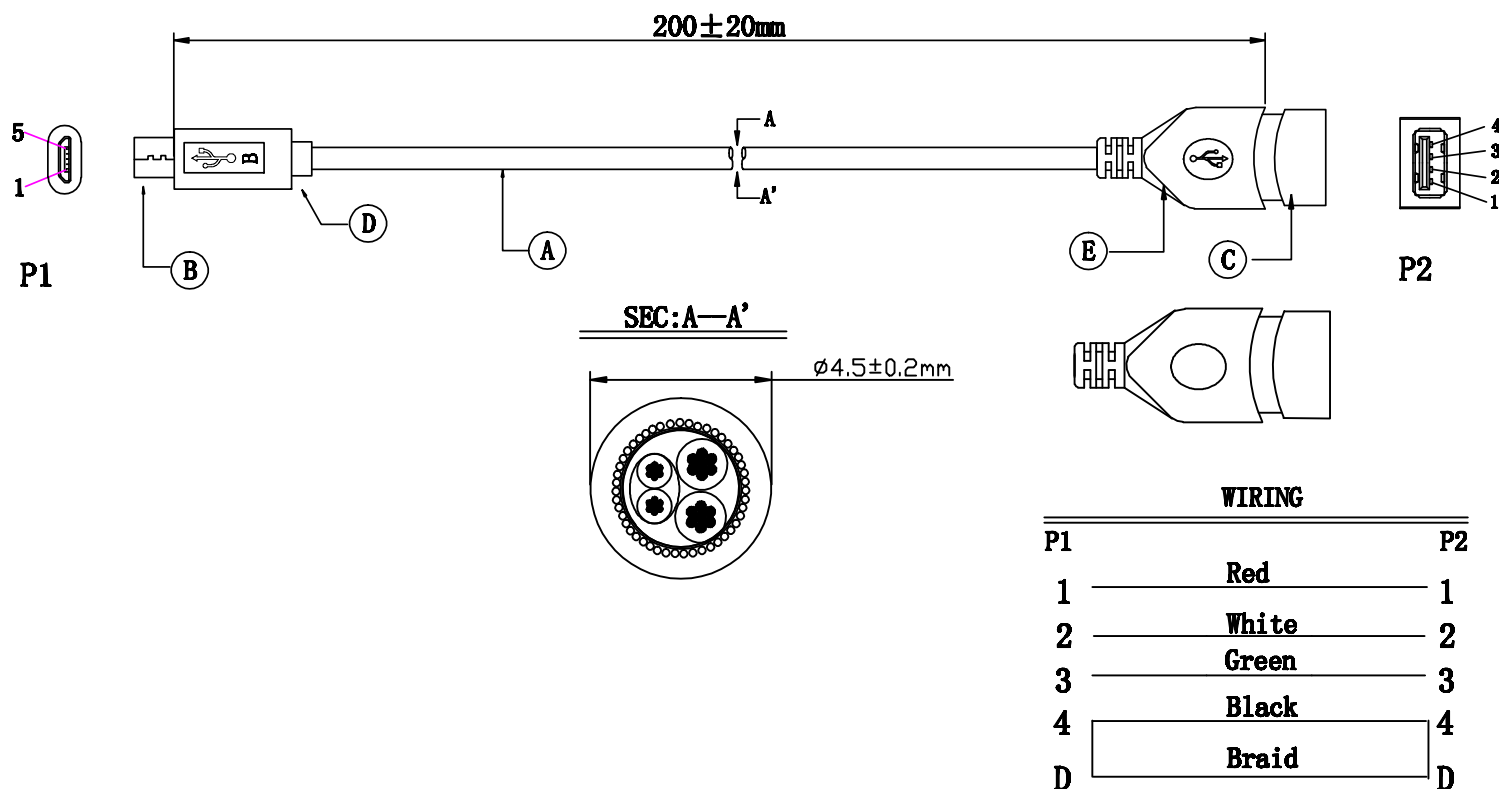
# USB OTG Micro B Plug to USB A Socket Cable



## Features

- Durable flexible jacket to avoid cable stress and conductor fractures
- Copper conductor for maximum data throughput
- Supports OTG (On The Go)
- Connect your hard disk or USB flash drive directly to your mobile phone or tablet

## Drawing



## Specification

(A) Cable	28 AWG (TC+HDPE) * (Green / White + 24 AWG (TC+HDPE) * 2C (Red/Black) + Al-Foil+Braid (4/12*0.12 Al-Mg) Jacket: OD 4.5 +/- 0.2 mm, Black, PVC
(B) Connector	USB OTG Micro B Plug, Shell Plating Nickel, (Iron, White PBT, Copper)
(C) Connector	USB OTG A Socket, Shell Plating Nickel, (Iron, White PBT, Copper)
(D) Inner Molding	Transparent PE
(E) Molding	45P PVC, Colour - Black

## Electrical Specification

Conductor Resistance	5 Ohm
Insulation Resistance	20 mOhm min. (300 VDC / 0.01 s)

Art. Nr.  
RND 765-00099