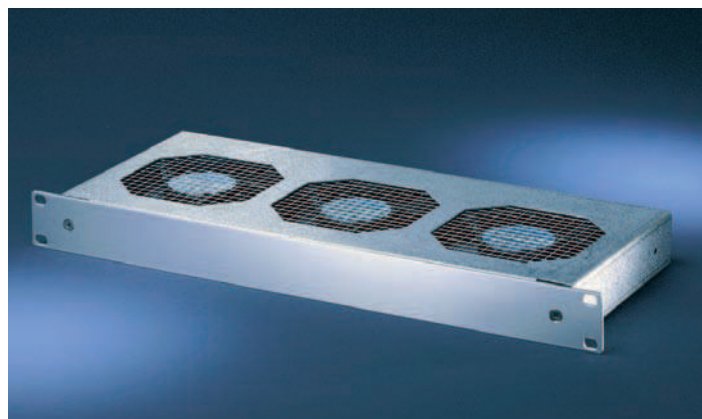
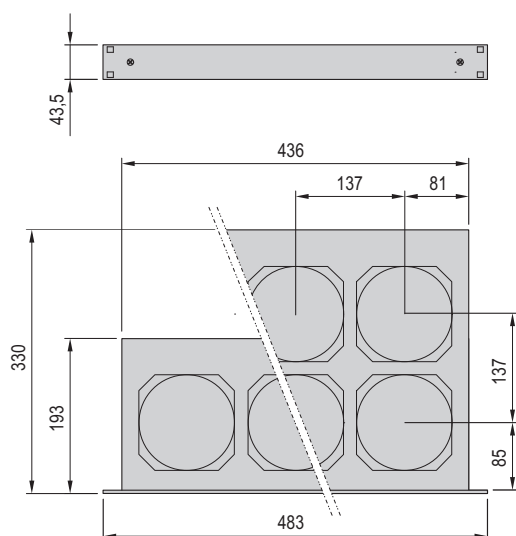


Climate control – 19" fan trays

19" fan 1 U



01194002



KTA44306

- Mechanical strain relief for mains cables
- Can be adapted to subracks
- Contact protection in accordance with DIN EN ISO 13857



Delivery comprises (ready to connect)

Item	Qty	Description
1	1	19" circulation fan, 1 U, cover/base plate, St, 1 mm, finish AlZn, with perforation; front panel 1 U, Al, 3 mm, anodised
2	3 / 6	Fan, see Order Information
3a	1	AC with IEC connector (mains input IEC 60320), incl. safety clamp for mechanical strain relief
b3	1	DC version with connecting cable, cable length 2.5 m

Order Information

	24 V _{DC}	115 V _{AC}	230 V _{AC}
	Part no.	Part no.	Part no.
	10713-103	10713-102	10713-100

KTA44857

	10713-107	10713-106	10713-104
--	------------------	------------------	------------------

KTA44858

Replacement fan 1 piece	20713-240	20713-244	20713-243
Side panel connecting bracket between europacPRO subrack and fan, including fixing material kit, PU 4 pieces			21101-954
Equipment cable SCHUKO/UTE SCHUKO/UTE plug, IEC 60320 C13 socket, 2.5 m, 1 piece			60103-131
Equipment cable, BS British Standard plug, IEC 60320 C13 socket, 2.5 m, 1 piece			60103-137
Equipment cable, USA USA plug, IEC 60320 socket, 2 m, 1 piece			60103-141



ServicePLUS see page 4.19

Technical data

Voltage	230 V _{AC}		115 V _{AC}		24 V _{DC}
	Frequency in Hz	50	60	50	60
Number of fans	3/6		3/6		3/6
Airflow volume in m ³ /h (3/6 fans)	440/845	520/1000	440/845	520/1000	506/970
Noise level in dB(A) (3/6 fans)	56.5/59.4	60.2/62.9	56.5/59.4	60.2/62.9	60.5/63.3
Power consumption in W (3/6 fans)	45/90	42/84	46.5/93	43.5/87	24/48
Max. stat. pressure in Pa	73	88	73	88	68
Permissible ambient temperature in °C	-40 ... +70 °C				
Lifespan in h L ₁₀ 40 °C	43500				
Lifespan in h L ₁₀ 55 °C	20000				

Note

- Fan dimensioning see page 4.18
- Replacement fans see chapter Climate control - Accessories
- Versions with multiple fans see ServicePLUS configuration page 4.14