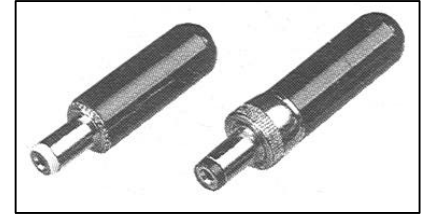


DC Power Connectors

| Order code | Manufacturer code | Description |
|------------|-------------------|--------------------------------------|
| 20-0882 | n/a | DC POWER PLUG 2.1MM BLACK (RC) |
| 20-0884 | n/a | DC POWER PLUG 2.1MM RED (RC) |
| 20-0886 | n/a | DC POWER PLUG 2.1MM(LOCK-RING) (RC) |
| 20-0888 | n/a | DC POWER PLUG 2.5MM BLACK (RC) |
| 20-0890 | n/a | DC POWER PLUG 2.5MM RED (RC) |
| 20-0892 | n/a | DC POWER PLUG 2.5MM (LOCK-RING) (RC) |

| | |
|--|--------------------------|
| DC Power Connectors | Page 1 of 3 |
| The enclosed information is believed to be correct, Information may change 'without notice' due to product improvement. Users should ensure that the product is suitable for their use. E. & O. E. | Revision A 04/07/2003 |

Connectors – Mains/Power



DC Power Plugs

Features:

- Locking option available for added security in critical applications. (Locking plugs cannot mate with right angle plugs)
- Moulded plastic handles available in either black or red

Specifications:

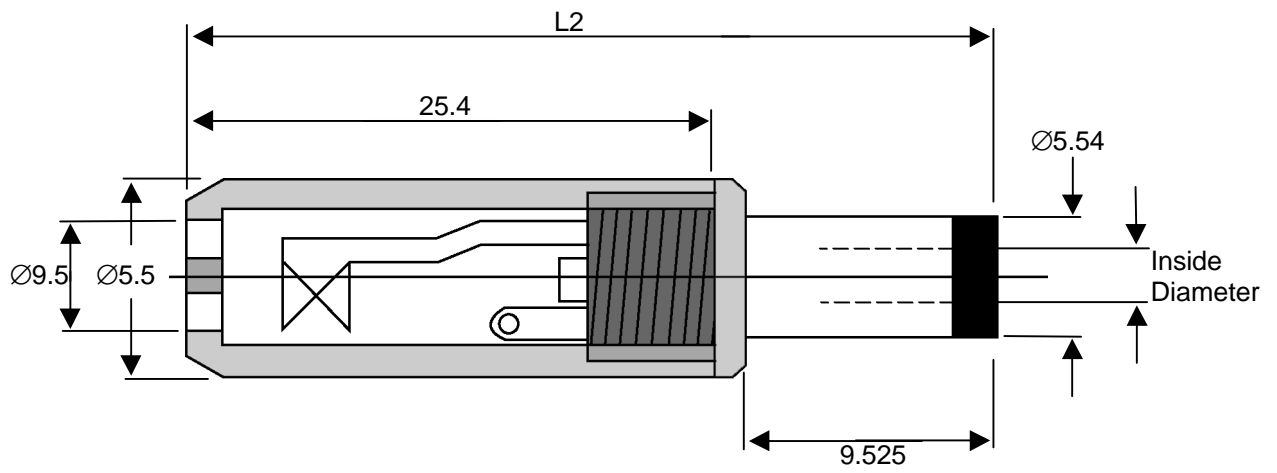
Plug, sleeve and pin: Copper alloy, nickel plated
Lock ring: Copper alloy, nickel plated
Lock ring tread size: 7.94mm (5/16") –32 UNEF 2B
Finger insulator: Moulded plastic
Insulating washer: Rigid plastic
Sleeve terminal: Copper alloy, electro-tinned
Handle: Moulded plastic
Handle thread size: 7.94mm (5/16") – 24 UNF 2B
Electrical: Current (carry); 5 amps

| Switchcraft Type | Description |
|------------------|------------------------------------|
| S760 | 2.1mm Black DC Power Plug |
| S765 | 2.1mm Red DC Power Plug |
| S760K | 2.1mm With Lock ring DC Power Plug |
| 760 | 2.5mm Black DC Power Plug |
| 765 | 2.5mm Red DC Power Plug |
| 760K | 2.5mm With Lock-Ring DC Power Plug |

Dimensions (mm):

| Part Number | Dimensions (mm) | | Locking Feature | Tip Insulator | Handle Colour | Mating Jack |
|-------------|-----------------|-------------|-----------------|---------------|---------------|-------------|
| | Inside Ø | Length "L2" | | | | |
| S760 | 2.03 | 36.07 | No | White | Black | 722A |
| S765 | 2.03 | 36.07 | No | White | Red | 722A |
| S760K | 2.03 | 43.18 | Yes | Black | Black | 722A |
| 760 | 2.54 | 36.07 | No | Black | Black | 712A |
| 765 | 2.54 | 36.07 | No | Black | Red | 712A |
| 760K | 2.54 | 43.18 | Yes | Black | Black | 712A |

Non-Locking:



Locking:

