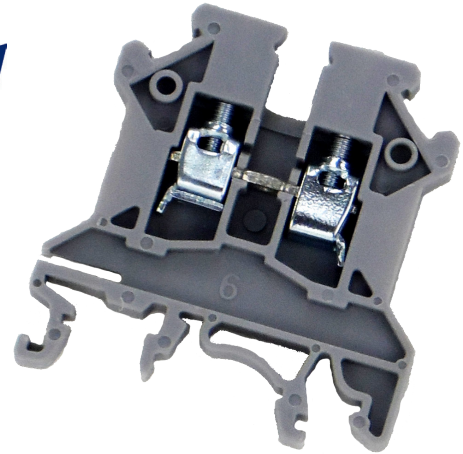


Rapid Part Number: **49-9429**  
 Europa Part Number: **CTS25U**  
 Specifications and dimensions



- Feed through screw clamp terminal
- Suitable for TS32 and TS35 din rail mounting

Features	
Length	56mm
Width	12mm
Depth	49.5mm
Weight	0.04Kg
Maximum cable connection	25mm <sup>2</sup>
Rated voltage	800V
Rated current	101A
Tightening torque	2.0Nm
Construction	6-6 polyamide
Colour	Grey
Related products	
End plate	CTSEP3U
Partition plate	CTSP3U
End stop	CA702
Blank terminal marker half height	CA509/K2
Blank terminal marker	CA509/K12
10 way jumper bar	CA745/10
Group marker	CA509/G1
Holding plate	CSP1
Protective cover 150mm	CTSPC
Group marker holder	GMH7

**ⓘ ALL PRODUCTS, PRODUCT SPECIFICATIONS AND DATA ARE SUBJECT TO CHANGE WITHOUT NOTICE.**

Information provided in data sheets and/or specifications may vary from actual results in different applications and performance may vary over time. **All products must be installed according to manufacturers instructions.**

Europa House, Airport Way, Luton, Beds, LU2 9NH Tel: 01582 692 440 / Fax: 01582 692 450 e-mail: [sales@europacomponents.com](mailto:sales@europacomponents.com)  
 website: <http://www.europacomponents.com>