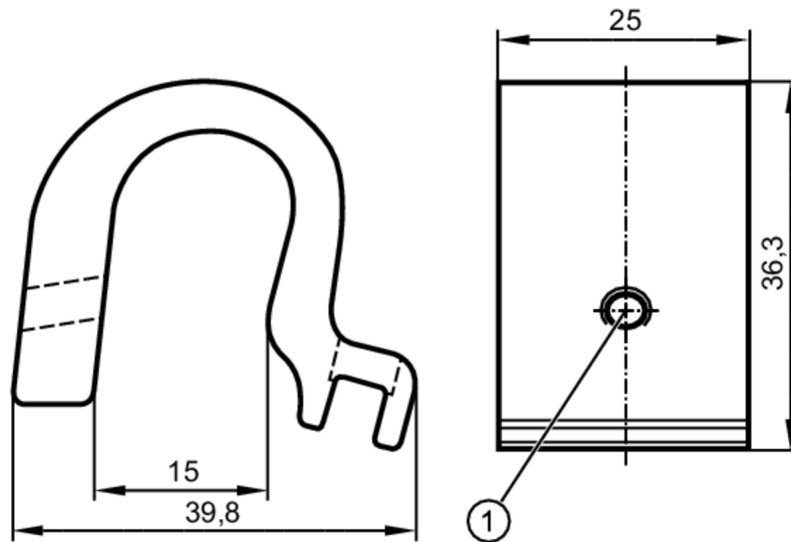


# E12234



## Mounting adapter for tie-rod/integrated profile cylinders

ADAPT TIE ROD/PROFILE



1 Mounting screw SW 2

### Application

Design for types MKT, for types MKT

### Mechanical data

Weight [g]	35
Materials	aluminium; screw: stainless steel
Tightening torque [Nm]	0.5
Clamping range [mm]	13...15

### Remarks

Pack quantity 1 pcs.