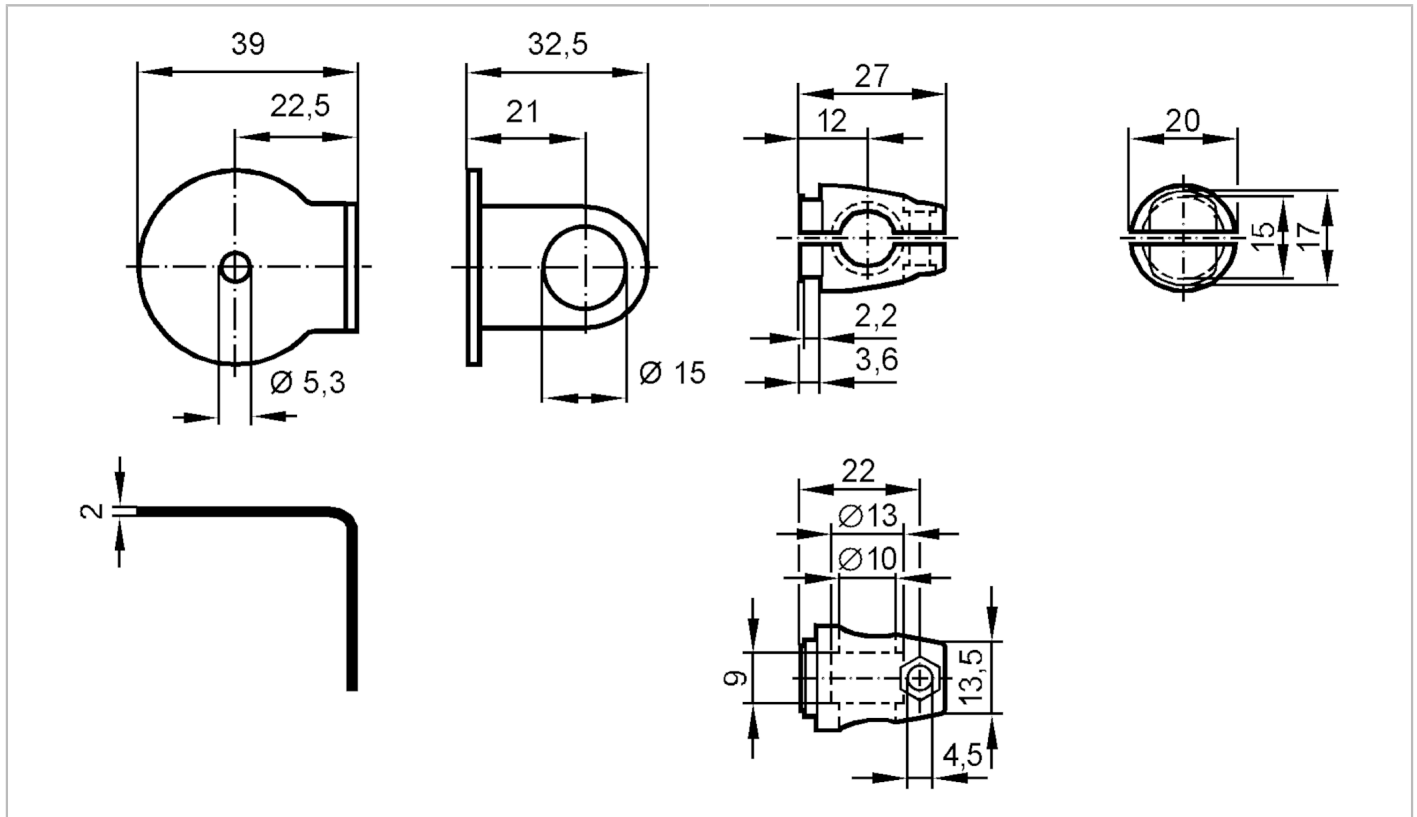


E20907



Mounting set for reflectors

SYSTEM COMPONENT REFL BOLT



Application	
Design	clamp mounting, for reflector, Ø 35 mm
Mechanical data	
Weight [g]	102
Type of mounting	free-standing; (M8)
Materials	fixture: stainless steel (1.4571/316Ti); Clamp: stainless steel (1.4408)
Accessories	
Accessories (supplied)	screw: 1 x M8 x 40
Remarks	
Pack quantity	1 pcs.