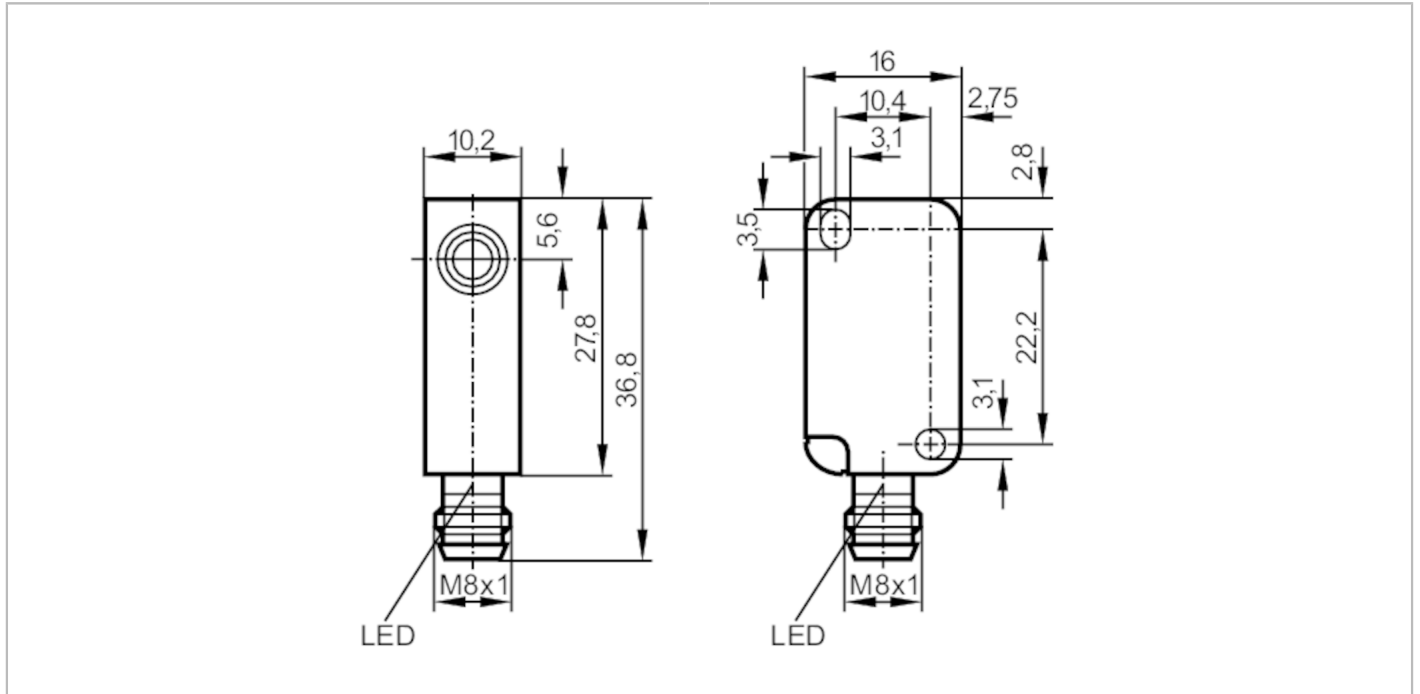


# IS5051



## Inductive sensor

IS-3002-BPKG/AS



### Product characteristics

Electrical design		PNP
Output function		normally open
Sensing range	[mm]	2
Housing		rectangular
Dimensions	[mm]	28 x 10 x 16

### Electrical data

Operating voltage	[V]	10...30 DC
Current consumption	[mA]	15
Protection class		III
Reverse polarity protection		yes

### Outputs

Electrical design		PNP
Output function		normally open
Max. voltage drop switching output DC	[V]	2.5
Permanent current rating of switching output DC	[mA]	200
Switching frequency DC	[Hz]	800
Short-circuit protection		yes
Overload protection		yes

### Detection zone

Sensing range	[mm]	2
Real sensing range Sr	[mm]	2 ± 10 %
Operating distance	[mm]	0...1.6

# IS5051



## Inductive sensor

IS-3002-BPKG/AS

### Accuracy / deviations

Correction factor	steel: 1 / stainless steel: 0.7 / brass: 0.5 / aluminium: 0.4 / copper: 0.3	
Hysteresis [% of Sr]	3...15	
Switch point drift [% of Sr]	-10...10	

### Operating conditions

Ambient temperature [°C]	-20...80	
Protection	IP 65; (IP67 with ifm socket duly screwed on)	

### Tests / approvals

EMC	EN 60947-5-2	
	EN 55011	class B
MTTF [years]	3060	

### Mechanical data

Weight [g]	10.7	
Housing	rectangular	
Mounting	flush mountable	
Dimensions [mm]	28 x 10 x 16	
Materials	PBT	
Tightening torque [Nm]	< 0.5; (with washer)	

### Displays / operating elements

Display	switching status	1 x LED, red
---------	------------------	--------------

### Remarks

Pack quantity	1 pcs.	
---------------	--------	--

### Electrical connection - plug

Connector: 1 x M8



# IS5051



## Inductive sensor

IS-3002-BPKG/AS

### Connection

