

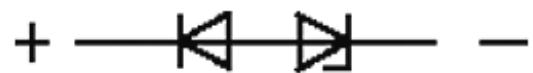
SIEMENS CONTACTOR SUPPRESSOR

Zener diode, 24VDC

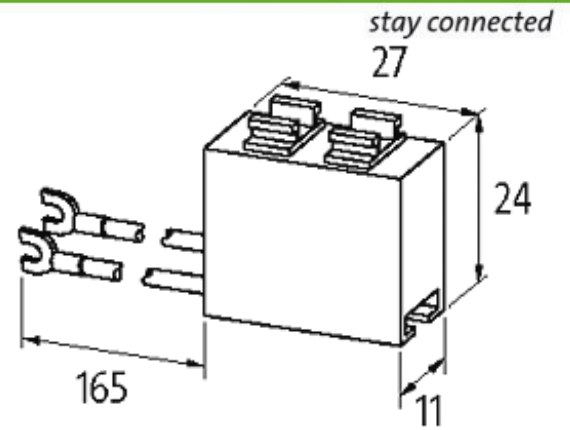
24 V DC

Diode/Z-Diode

For other configurations and voltages, please inquire

[Link to Product](#)**Illustration**

Diode/Z-Diode



Product may differ from Image

Approvals



Appropriate contactors

3 TH 3/4/8; 3 TF 30...45; 3 TB 40...3 TB 44

Technical Data

Damping factor	approx. 1.5 × UN
Material	Flame retardant plastic acc. to (UL 94)
Connection wires	self-securing cable forks

General data

Dimensions H × W × D	11×27×24 mm
Temperature range	-20...+70 °C

Commercial data

country of origin	CZ
customs tariff number	85363010
minimum order quantity	1