

## M8 FEMALE 90° LED

PVC 3x0.25 GRAY, 7.5m

M8

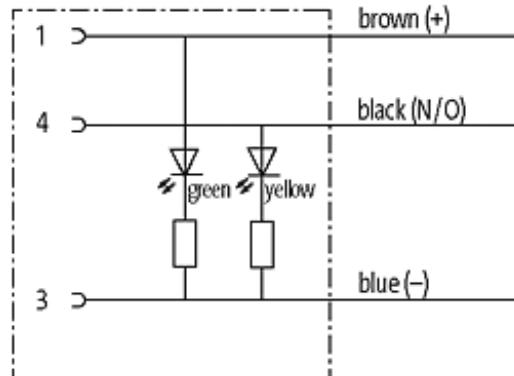
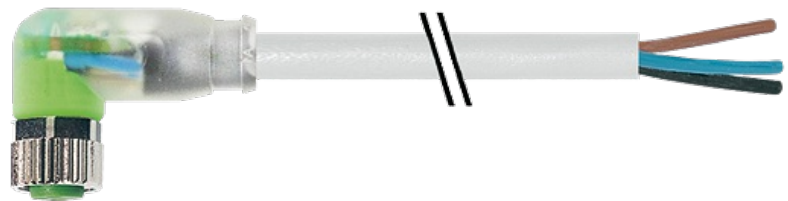
Female 90°

3-pole with 2 × LED (PNP)

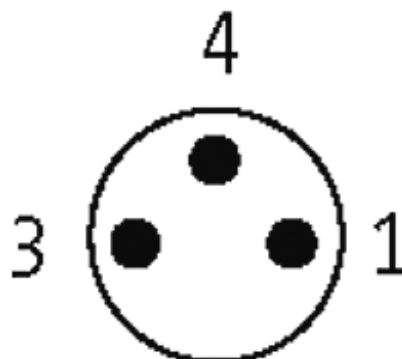
Plastic housings with good resistance against chemicals and oils. The resistance to aggressive media should be individually tested for your application. Further details on request. Further cable lengths on request.

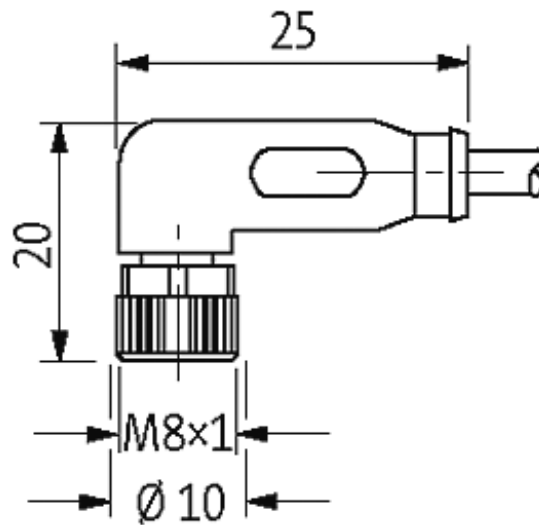
### [Link to Product](#)

#### Illustration



Female





Product may differ from Image

### Approvals



\* only for products with UL/CSA approved cable

### Form

08121

### Technical Data

|                               |   |
|-------------------------------|---|
| Operating voltage             | 24 V DC $\pm 25\%$  |
| Operating current per contact | max. 4 A  |
| Locking of ports              | Screw thread M8 $\times$ 1 mm (recommended torque 0.4 Nm) self-securing |
| Protection                    | IP67 inserted and tightened (EN 60529)                                  |

### Cables

|                             |                                 |
|-----------------------------|---------------------------------|
| Cable number                | 210                             |
| No./diameter of wires       | 3 $\times$ 0.25 mm <sup>2</sup> |
| Wire isolation              | PVC (br, bl, bk)                |
| Jacket Color                | gray                            |
| Shore hardness outer jacket | 85 $\pm$ 5A                     |
| Material (jacket)           | PVC (UL/CSA)                    |
| Outer diameter              | approx. 4.5 mm                  |
| Bend radius (fixed)         | 5 $\times$ outer $\varnothing$  |
| Bend radius (moving)        | 10 $\times$ outer $\varnothing$ |
| Temperature range (fixed)   | -30...+80 °C                    |
| Temperature range (mobile)  | -5...+80 °C                     |

The information in this brochure has been compiled with the utmost care.

Liability for the correctness completeness and topicality of the information is restricted to gross negligence. Version: 05/15

**General data**

Temperature range -25...+85 °C, depending on cable quality

**Commercial data**

|                        |          |
|------------------------|----------|
| country of origin      | DE       |
| customs tariff number  | 85444290 |
| minimum order quantity | 1        |