

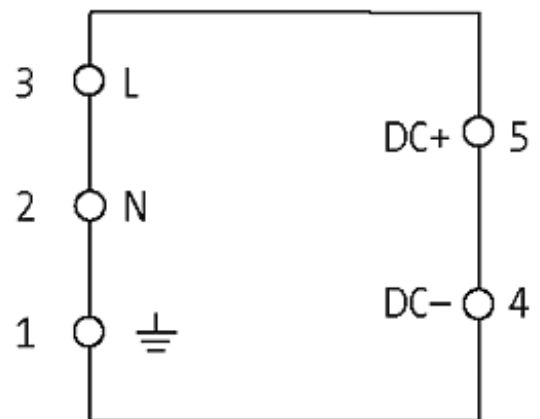
**MPS POWER SUPPLY 1-PHASE,**

IN: 95-265VAC OUT: 24V/3ADC

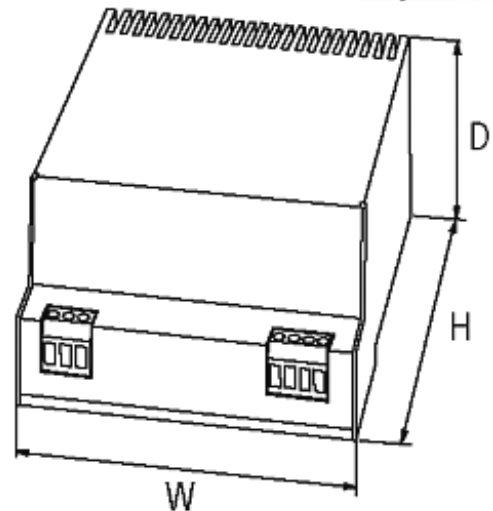
INPUT: 95...265 V AC

OUTPUT: 24 V DC

Current: 3 A

[Link to Product](#)**Illustration**

stay connected



Product may differ from Image

### Approvals



### Input

Input voltage	95...265 V AC
Inrush current after 1 ms	max. 20 A
Primary fusing external	max. 10 A
Frequency	50...60 Hz
Input current	1.5 A (115 V AC); 0.75 A (230 V AC)

### General data

Standards	(EN 60950-1), (EN 61204-3), (EN 55022 B)
Efficiency	84 %
Relative humidity	5...95 %, no condensation
Mounting method	DIN-rail mountable TH35 (EN 60715), additional plate for screw mounting Art.-No. 89500
Dimensions H × W × D	132×75×71 mm
Temperature range	0...+60 °C (storage temperature -25...+85 °C)

### Output

Output voltage	24 V DC (SELV), +3/-1 %
Output current	3 A (+60 °C); 3.5 A (+40 °C)
Mains failure bridging time	min. 8.3 ms (115 V AC); min. 80 ms (230 V AC)
Ripple	max. 20 mVrms
Spikes	max. 100 mV p-p
Unit protection	short-circuit and overload protected
LED display	LED (green) at min. 22 V DC
Parallel usage/serial usage	no/yes

The information in this brochure has been compiled with the utmost care.

Liability for the correctness completeness and topicality of the information is restricted to gross negligence. Version: 05/15

Murrelektronik GmbH | Falkenstraße 3, 71570 Oppenweiler | Fon +49 (71 91) 47-0, Fax +49 (71 91) 47-491000 | shop@murrelektronik.de | shop.murrelektronik.de

**Commercial data**

country of origin	CZ
customs tariff number	85044090
minimum order quantity	1