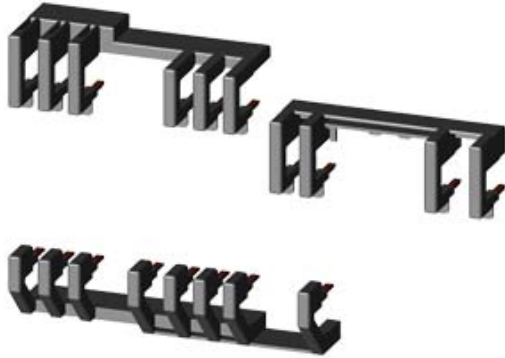


WIRING KIT, SPRING-LOADED ELECTRICAL AND MECHANICAL, INCL. MECH. INTERLOCK, FOR REVERS. STARTERS, SIZE S00



General technical data:	
product brand name	SIRIUS
Product designation	Mounting kit
Design of the product	Reversing contactor assembly S00, spring-loaded terminal
Size of contactor	S00

Installation/ mounting/ dimensions:	
Mounting type	clip-on

Certificates/ approvals:		
General Product Approval	Declaration of Conformity	Shipping Approval



Shipping Approval	other
-------------------	-------



[Declaration of Conformity](#)

[Environmental Confirmations](#)

[other](#)

Further information

Information- and Downloadcenter (Catalogs, Brochures,...)

<http://www.siemens.com/industrial-controls/catalogs>

Industry Mall (Online ordering system)

<http://www.siemens.com/industrymall>

Cax online generator

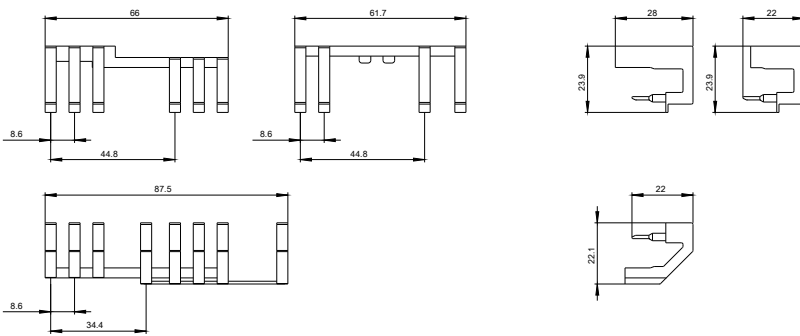
<http://support.automation.siemens.com/WW/CAXorder/default.aspx?lang=en&mfb=3RA29132AA2>

Service&Support (Manuals, Certificates, Characteristics, FAQs,...)

<http://support.automation.siemens.com/WW/view/en/3RA29132AA2/all>

Image database (product images, 2D dimension drawings, 3D models, device circuit diagrams, EPLAN macros, ...)

<http://www.automation.siemens.com/bilddb/index.aspx?attID9=3RA29132AA2&lang=en>



last modified:

09.03.2015