



BASIC UNIT 1 SIMOCODE PRO C; PROFIBUS DP-
INTERFACE 12 MBIT/S, RS485; 4I/3O FREELY
PARAMETERIZABLE; US: AC/DC 110-240V;
THERMISTOR MOTOR PROTECTION; OUTPUTS
MONOSTABLE

product brand name		SIRIUS
Product designation		SIMOCODE pro C Motor Management System
Design of the product		basic unit 1

General technical data:		
Active power loss total typical	W	5
Insulation voltage		
• with degree of pollution 3 Rated value	V	300
• Rated value	V	300
Shock resistance		
• acc. to IEC 60068-2-27		15g / 11 ms
Vibration resistance		1-6 Hz / 15 mm; 6-500 Hz / 2 g
Surge voltage resistance Rated value	V	4 000
Mechanical service life (switching cycles)		
• typical		10 000 000
Electrical endurance (switching cycles)		
• typical		100 000
Protection class IP		IP20
Equipment marking		
• acc. to DIN EN 61346-2		F
• acc. to DIN EN 81346-2		F

Electromagnetic compatibility:		
EMC emitted interference		
• acc. to IEC 60947-1		class A
EMI immunity acc. to IEC 60947-1		corresponds to degree of severity 3

Conducted interference due to burst acc. to IEC 61000-4-4		2 kV (power ports) / 1 kV (signal ports)
Conducted interference due to conductor-earth surge acc. to IEC 61000-4-5		2 kV
Conducted interference due to conductor-conductor surge acc. to IEC 61000-4-5		1 kV
Conducted interference due to high-frequency radiation acc. to IEC 61000-4-6		10 V
Field-bound parasitic coupling acc. to IEC 61000-4-3		10 V/m
Electrostatic discharge acc. to IEC 61000-4-2		6 kV contact discharge / 8 kV air discharge

Inputs/ Outputs:

Number of inputs		4
• for thermistor connection		1
Number of digital inputs		4
• with a common reference potential		
Digital input version		Yes
• Type 1 acc. to IEC 61131		
Number of outputs		3
Number of outputs as contact-affected switching element		3
Number of semiconductor outputs		0

Motor protection functions:

Product function overload protection		Yes
Product function Evaluation of thermistor motor protection		Yes

Motor control functions:

Product function		
• parameterizable overload relay		Yes
• circuit breaker control		Yes
• direct start		Yes
• reverse starting		Yes
• star-delta circuit		No
• star-delta reversing circuit		No
• Dahlander circuit		No
• Dahlander reversing circuit		No
• pole-changing switch circuit		No
• pole-changing switch reversing circuit		No
• Slide control		No
• valve control		No

Communication/ Protocol:

Product function Bus communication		Yes
Protocol is supported		

<ul style="list-style-type: none"> • PROFIBUS DP protocol • PROFINET IO protocol • PROFI-safe protocol • LLDP • Address Resolution Protocol (ARP) • SNMP • HTTPS • OPC UA Server • NTP • Media Redundancy Protocol (MRP) 		<p>Yes</p> <p>No</p> <p>No</p> <p>No</p> <p>No</p> <p>No</p> <p>No</p> <p>No</p> <p>No</p> <p>No</p>
Product function		
<ul style="list-style-type: none"> • web server • shared device • at the Ethernet interface Autonegotiation • at the Ethernet interface Autosensing • MRRT redundancy procedure • is supported PROFINET system redundancy • supports PROFIenergy measured values • supports PROFIenergy shutdown 		<p>No</p> <p>No</p> <p>No</p> <p>No</p> <p>No</p> <p>No</p> <p>No</p> <p>No</p>
Type of electrical connection of the communication interface		D-sub / terminal

Installation/ mounting/ dimensions:		
mounting position		any
Mounting type		screw and snap-on mounting
Height	mm	111
Width	mm	45
Depth	mm	95

Connections/ Terminals:		
Type of electrical connection		screw-type terminals
<ul style="list-style-type: none"> • for auxiliary and control current circuit 		
Product function		Yes
<ul style="list-style-type: none"> • removable terminal for auxiliary and control circuit 		
Type of connectable conductor cross-section		
<ul style="list-style-type: none"> • solid • finely stranded with core end processing • for AWG conductors <ul style="list-style-type: none"> — solid — stranded 		<p>1x (0.5 ... 4.0 mm²), 2x (0.5 ... 2.5 mm²)</p> <p>1x (0.5 ... 2.5 mm²), 2x (0.5 ... 1.5 mm²)</p> <p>1x (20 ... 12), 2x (20 ... 14)</p> <p>1x (20 ... 14), 2x (20 ... 16)</p>
Tightening torque		
<ul style="list-style-type: none"> • with screw-type terminals 	N·m	0.8 ... 1.2

Tightening torque [lbf-in]		
<ul style="list-style-type: none"> • with screw-type terminals 	lbf-in	7 ... 10.3
Ambient conditions:		
Installation altitude at height above sea level maximum	m	4 000
Ambient temperature		
<ul style="list-style-type: none"> • during operation 	°C	-25 ... +60
<ul style="list-style-type: none"> • during storage 	°C	-40 ... +80
<ul style="list-style-type: none"> • during transport 	°C	-40 ... +80
<ul style="list-style-type: none"> • at installation altitude ≤ 3000m during operation maximum 	°C	50
<ul style="list-style-type: none"> • at installation altitude ≤ 4000 m during operation maximum 	°C	40
Relative humidity during operation	%	5 ... 95
Contact rating of the auxiliary contacts acc. to UL		B300 / R300
Short-circuit:		
Design of short-circuit protection per output		Fuse links: gG 6 A, quick-response 10 A (IEC 60947-5-1), miniature circuit-breaker C char.: 1.6 A (IEC 60947-5-1) or 6 A (I _K < 500 A)
Safety related data:		
Protection against electrical shock		finger-safe
Galvanic isolation:		
Design of the electrical isolation		Protective separation in accordance with IEC 60947-1 for all circuits
Main circuit:		
Operating voltage		
<ul style="list-style-type: none"> • with AC <ul style="list-style-type: none"> — at 50 Hz Rated value — at 60 Hz Rated value • for DC Rated value <ul style="list-style-type: none"> — maximum — minimum 	V	110 ... 240
	V	110 ... 240
	V	240
	V	110
Control circuit/ Control:		
Type of voltage of the control supply voltage		AC/DC
Control supply voltage with AC		
<ul style="list-style-type: none"> • at 50 Hz Rated value 	V	110 ... 240
<ul style="list-style-type: none"> • at 60 Hz Rated value 	V	110 ... 240
Control supply voltage for DC		
<ul style="list-style-type: none"> • Rated value 	V	110 ... 240
Control supply voltage 1		
<ul style="list-style-type: none"> • for DC Rated value 	V	240

• Rated value	Hz	50
Control supply voltage frequency 2 Rated value	Hz	60
Response value of thermoresistor	Ω	3 400 ... 3 800

Supply voltage:	
Type of voltage of the supply voltage	AC/DC

Certificates/ approvals:

General Product Approval	EMC	For use in hazardous locations
--------------------------	-----	--------------------------------



CCC



CSA



UL



C-TICK



ATEX

For use in hazardous locations	Test Certificates	Shipping Approval
--------------------------------	-------------------	-------------------

[Explosion Protection Certificate](#)

[Special Test Certificate](#)

[Declaration of the Compliance with the order](#)

[Type Test Certificates/Test Report](#)



ABS



DNV

Shipping Approval	other
-------------------	-------



GL

[Confirmation](#)

[Declaration of Conformity](#)

[PROFINET-Certification](#)



Profibus

[PROFISafe-Certification](#)

Further information

Information- and Downloadcenter (Catalogs, Brochures,...)

<http://www.siemens.com/industrial-controls/catalogs>

Industry Mall (Online ordering system)

<http://www.siemens.com/industrymall>

Cax online generator

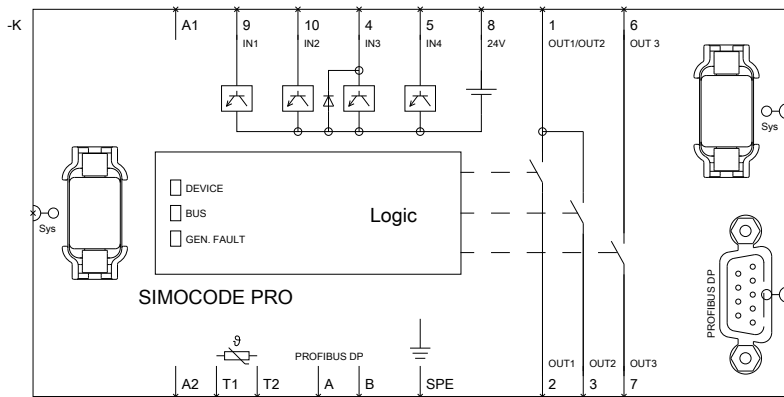
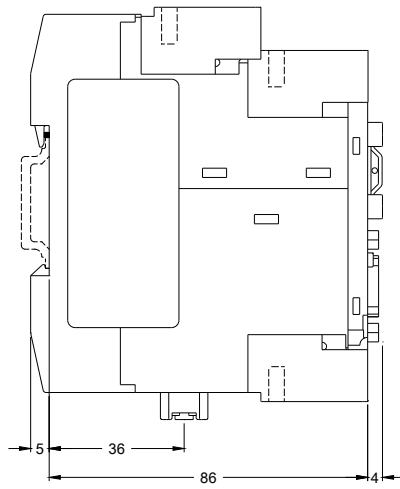
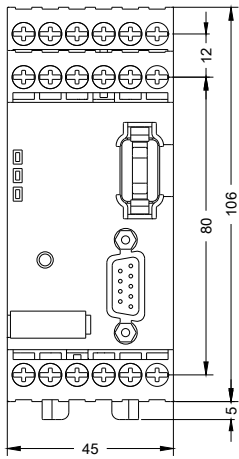
<http://support.automation.siemens.com/WW/CAXorder/default.aspx?lang=en&mlfb=3UF70001AU000>

Service&Support (Manuals, Certificates, Characteristics, FAQs,...)

<http://support.automation.siemens.com/WW/view/en/3UF70001AU000/all>

Image database (product images, 2D dimension drawings, 3D models, device circuit diagrams, EPLAN macros, ...)

http://www.automation.siemens.com/bilddb/cax_de.aspx?mlfb=3UF70001AU000&lang=en



last modified:

09.03.2015