



REMOTE SWITCH WITH 1 NO AND 1 NC CONTACT
FOR AC 230, 400V 16A CONTROL DC 110V

Figure similar

| Model | | |
|---------------------------------------------------------|-----|---------------------------------|
| product brand name | | SENTRON |
| Latching relay design | | Mechanical switch |
| General technical data | | |
| Electrical endurance (switching cycles) | | 50 000 |
| Galvanic isolation / between magnet coil and contact | | Yes |
| Switching voltage / of the contacts / with AC / minimum | V | 10 |
| Switching current / with AC / per contact / minimum | mA | 100 |
| Voltage | | |
| Continuous voltage fuse version | | Yes |
| Surge voltage resistance / Rated value | kV | 4 |
| Protection class | | |
| Protection class IP | | IP20, with connected conductors |
| Switching capacity | | |
| Switching capacity apparent power | | |
| • for fluorescent lamp load with DUO circuit | V·A | 900 |
| • for fluorescent lamp load with parallel compensation | V·A | 400 |
| • for uncompensated fluorescent lamp load | V·A | 500 |
| Switching capacity current | | |
| • at cos phi 0.6 | A | 16 |
| • Rated value | A | 16 |

| | | |
|--------------------------------------------------------------------------------|----|----------|
| Switching capacity active power / with filament lamp load | W | 2 000 |
| Control current | | |
| Type of voltage | | DC |
| • of control voltage_1 | | |
| Control voltage | | |
| • _1 / initial value | V | 88 |
| • _1 / Full-scale value | V | 121 |
| • _1 / setpoint | V | 110 |
| Control voltage frequency | | |
| • _1 / initial value | Hz | 50 |
| • _1 / Full-scale value | Hz | 50 |
| Operating range factor control supply voltage rated value / with AC / at 50 Hz | | |
| • initial value | | 0.8 |
| • Full-scale value | | 1.1 |
| Product details | | |
| Product component / Switch position indicator | | Yes |
| Product function | | |
| Product function / direct operation | | Yes |
| Number | | |
| Number of terminals | | 6 |
| Number of NC contacts | | 1 |
| Number of NO contacts | | 1 |
| Number of CO contacts | | 0 |
| Mechanical Design | | |
| Width of opening / of the contacts | mm | 1.2 |
| Mounting height | mm | 90 |
| mounting position | | any |
| Installation depth | mm | 70 |
| Number of width units | | 1 |
| Mounting type | | DIN rail |
| Required spacing / for live parts | mm | 6 |
| Environmental conditions | | |
| Ambient temperature | | |
| • minimum | °C | -10 |
| • maximum | °C | 40 |
| • with relative humidity 95% / acc. to DIN 50015 | °C | 35 |
| Certificates | | |

[other](#)[other](#)

Further information

Information- and Downloadcenter (Catalogs, Brochures,...)

<http://www.siemens.com/lowvoltage/catalogs>

Industry Mall (Online ordering system)

<https://eb.automation.siemens.com/mall/en/WW/Catalog/Product/5TT41151>

Service&Support (Manuals, Certificates, Characteristics, FAQs,...)

<http://support.automation.siemens.com/WW/view/en/5TT41151/all>

Image database (product images, 2D dimension drawings, 3D models, device circuit diagrams, ...)

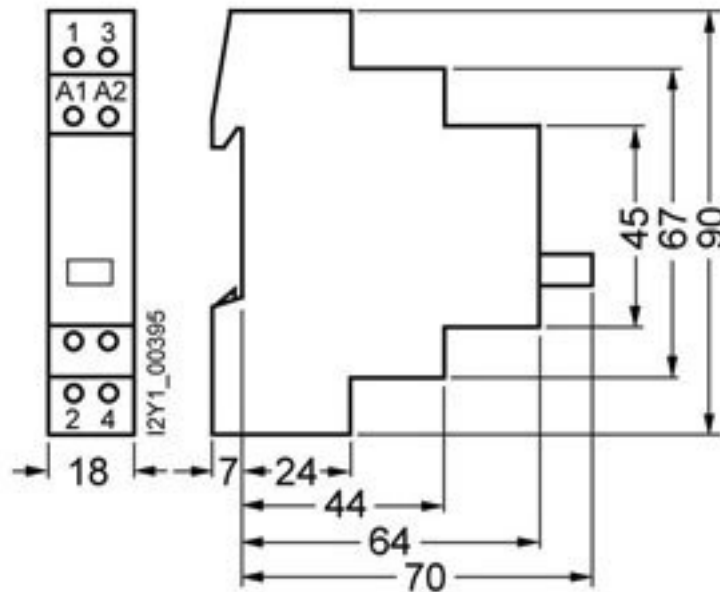
http://www.automation.siemens.com/bilddb/cax_en.aspx?mlfb=5TT41151

CAX-Online-Generator

<http://www.siemens.com/cax>

Tender specifications

<http://ausschreibungstexte.siemens.com/tiplv>



last modified:

11.03.2015