

# Mounting Clamp for M12 × 1

## BSM12NB

Part Number

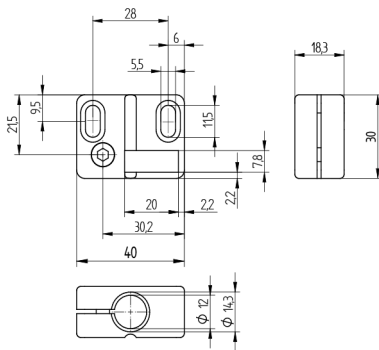


### Technical Data

#### Mechanical Data

Material	Plastic
Packaging unit	1 Piece
Mounting Number	170

#### ● Simple installation



All dimensions in mm (1 mm = 0.03937 Inch)

