

D-Sub Connector Cover

multicompPRO

**RoHS
Compliant**



Specifications:

Series	: Deluxe
D-Sub Shell Size	: DB
Connector Body Material	: Metal
Accessory Type	: Backshell
Connector Shell Size	: DB
Connector Type	: Connector Backshell
Enclosure Material	: Metal

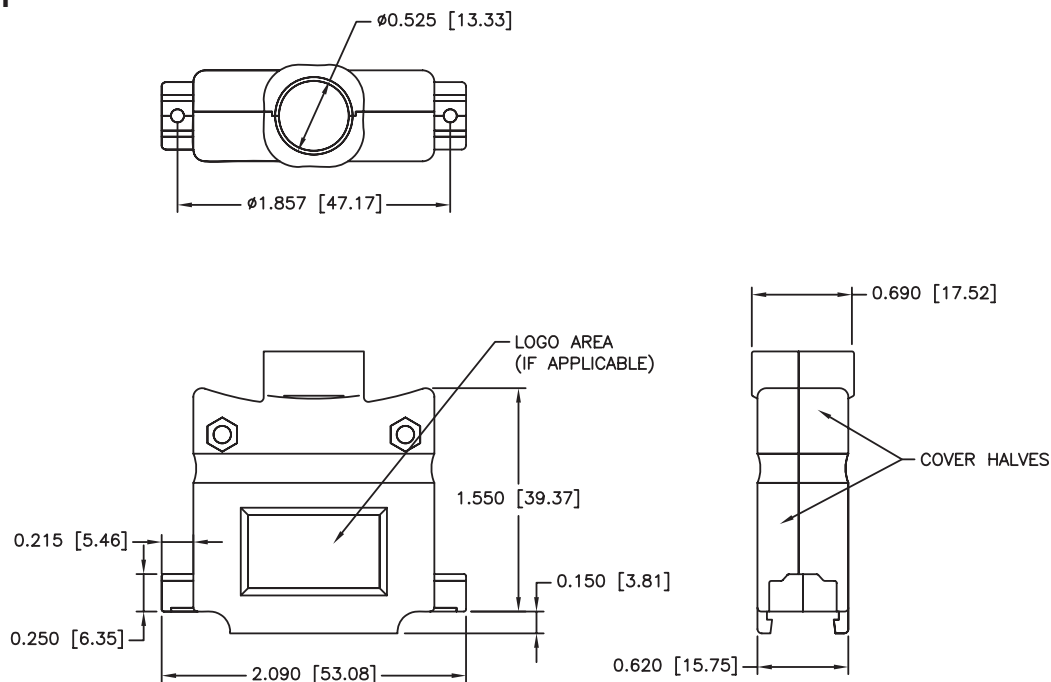
Connector Cover

Material	: Zinc Alloy
Finish	: Bright Zinc Plating Per NTC Specification N/T 000100
Tolerance	: ±0.015 (0.381)

Compression Insert Tree

Material	: Thermoplastic
Colour	: Black
Durometer	: 75 ±5 Type a per ASTM D2240
Tolerance	: ±0.02 (0.508)

Diagram



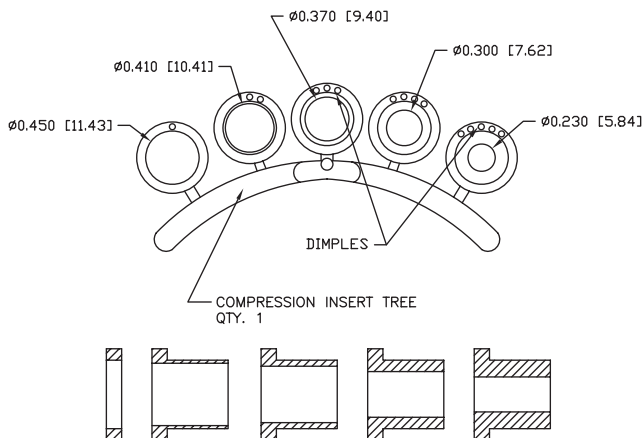
Dimensions : Inches (Millimetres)

Newark.com/multicomp-pro
Farnell.com/multicomp-pro
Element14.com/multicomp-pro

multicompPRO


D-Sub Connector Cover


multicomp PRO




Dimensions : Inches (Millimetres)

 #4-40 X 7/16" FILLISTER HEAD MACHINE SCREW
 MATERIAL - STEEL
 FINISH - BRIGHT ZINC
 QTY: 2 EACH

 #4-40 #2 BLANK HEX NUT
 MATERIAL - STEEL
 FINISH - BRIGHT ZINC
 QTY: 2 EACH

 FILLISTER HEAD CAPTIVE SCREW
 HEAD STYLE - SEE PAGE 2
 MATERIAL - SEE PAGE 2
 FINISH - SEE PAGE 2
 QTY: 2 EACH

 #4 SADDLE WASHER
 MATERIAL - STEEL
 FINISH - BRIGHT ZINC
 QTY: 2 EACH

Part Number Table

Description	Part Number
D-Sub Back shell, Size DB, Metal	SPC15006

Important Notice : This data sheet and its contents (the "Information") belong to the members of the AVNET group of companies (the "Group") or are licensed to it. No licence is granted for the use of it other than for information purposes in connection with the products to which it relates. No licence of any intellectual property rights is granted. The Information is subject to change without notice and replaces all data sheets previously supplied. The Information supplied is believed to be accurate but the Group assumes no responsibility for its accuracy or completeness, any error in or omission from it or for any use made of it. Users of this data sheet should check for themselves the Information and the suitability of the products for their purpose and not make any assumptions based on information included or omitted. Liability for loss or damage resulting from any reliance on the Information or use of it (including liability resulting from negligence or where the Group was aware of the possibility of such loss or damage arising) is excluded. This will not operate to limit or restrict the Group's liability for death or personal injury resulting from its negligence. Multicomp Pro is the registered trademark of Premier Farnell Limited 2019.

Newark.com/multicomp-pro
 Farnell.com/multicomp-pro
 Element14.com/multicomp-pro

multicomp PRO