

FIL + LUB Skillair®

Refer to the sections on the single modules for a further description, components and other technical data.



UNITS

FIL + LUB Skillair®

TECHNICAL DATA		F + L 100		F + L 200			F + L 300			F + L 400			
Threaded port		1/4"	3/8"	1/4"	3/8"	1/2"	1/2"	3/4"	1"	1"	1 1/4"	1 1/2"	2"
Degree of filtration	μm	5 - 20 - 50		5 - 20 - 50			5 - 20 - 50			5 - 20 - 50			
Max. inlet pressure	MPa	1.5		1.3			1.3			1.3			
	bar	15		13			13			13			
Flow rate at 6.3 bar ΔP 0.5 bar	psi	217		188			188			188			
	Nl/min	600		1800			3200			9000		14000	
Flow rate at 6.3 bar ΔP 1 bar	scfm	21		64			113			320		500	
	Nl/min	1200		3200			4500			-		-	
Max temperature at 10 bar	scfm	42		113			160			-		-	
	°C	50		50			50			50			
Weight	°F	122		122			122			122			
	kg	0.5		1.1			2.2			~ 8			
Wall fixing screws		M4 x 50		M5 x 60			M5 x 70			M6 x 110			
Fluid		Compressed air.											
Notes on use		The maximum inlet pressure for the version with RA automatic condensate drainage must not exceed 10 bar.											

SYNOPTIC, SIZES AND VERSIONS

F+L	100	1/4	20	RMSA
ELEMENT	SIZE	THREADED PORT	DEGREE OF FILTRATION	TYPE OF CONDENSATE DRAIN
F+L	100	1/4 3/8	5 = 5 μm 20 = 20 μm 50 = 50 μm	RMSA SAC
	200	1/4 3/8 1/2		RMSA RA
	300	1/2 3/4 1		
	400	1 1 1/4 1 1/2 2		

RMSA: drain with manual condensate discharge and automatic discharge at zero pressure

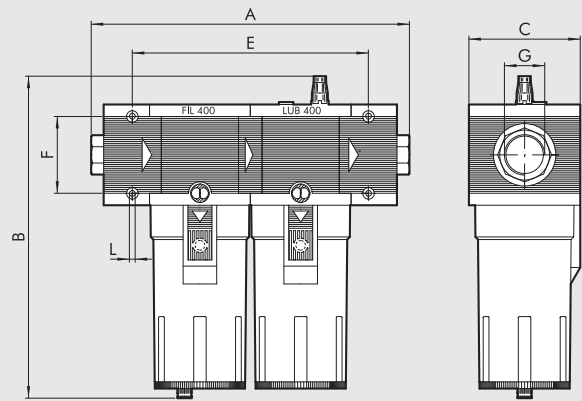
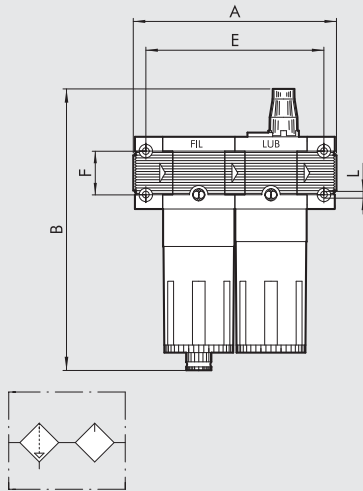
RA: automatic drain with condensate discharge, independent of pressure and flow rate.
(for size 200, 300 and 400)

SAC: automatic drain with condensate discharge.
Operates by depression – requires variable air take-offs.
(for size 100 and 200)

DIMENSIONS FIL + LUB

100 - 200 - 300

400



	FIL + LUB 100		FIL + LUB 200			FIL + LUB 300			FIL + LUB 400			
		1/4" 3/8"	1/4"	3/8"	1/2"	1/2"	3/4"	1"	1"	1 1/4"	1 1/2"	2"
Threaded port G												
A		121	149			175		177	330 to 360			388 to 418
B	RMSA	172.5	203.5				223.5		349.5			
	RA	-	207.5				227.5		353.5			
	SAC	176.5	207.5				227.5		353.5			
C		50	63				72		116			
E		106	134				157		247			
F		26	36				42		80			
L		M4 hole	M5 hole				M5 hole		M6 hole			

ORDERING CODES

Code Description

F+L Skillair® 100

- 3285002 F+L 100 1/4 20 RMSA
- 3385002 F+L 100 3/8 20 RMSA

F+L Skillair® 200

- 3485002 F+L 200 1/4 20 RMSA
- 3585002 F+L 200 3/8 20 RMSA
- 3685002 F+L 200 1/2 20 RMSA

F+L Skillair® 300

- 4485002 F+L 300 1/2 20 RMSA
- 4585002 F+L 300 3/4 20 RMSA
- 4585005 F+L 300 3/4 20 RA
- 4685002 F+L 300 1 20 RMSA

F+L Skillair® 400

- 6185002 F+L 400 1 20 RMSA
- 6185005 F+L 400 1 20 RA
- 6285002 F+L 400 1 1/4 20 RMSA
- 6385002 F+L 400 1 1/2 20 RMSA
- 6485002 F+L 400 2 20 RMSA

The following versions are available on request:

- with 5 µm or 50 µm degree of filtration
- with SAC or RA condensate discharge