



Pushing Performance

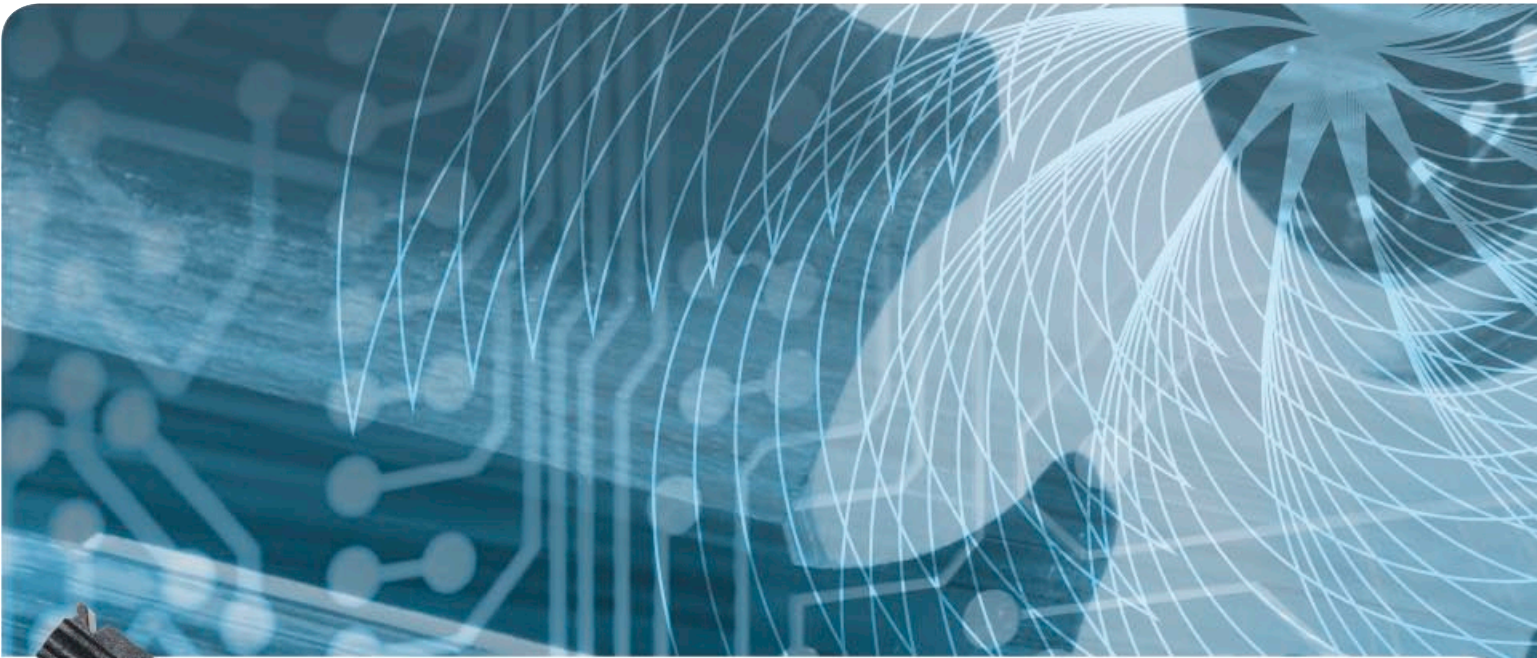
HARTING Han-Quick Lock®





Contents

1.0	Precise technique, so simple as Han-Quick Lock®	04
2.0	Fast, simple and compact!	04
2.1	Assembly	05
2.2	Disassembly	06
3.0	Complete build-up	07
4.0	X-ray cross section	08
5.0	Advantages of Han-Quick Lock®	09
5.1	Time saving	09
5.2	Vibration safety	10
5.3	Wire pull out forces	10
5.4	Contact resistance	11
6.0	Product portfolio	12
6.1	Han® 3 A Quick Lock	14
6.2	Han® 4 A Quick Lock	15
6.3	Han® Q 5/0 Quick Lock	16
6.4	Han® Q 8/0 Quick Lock	17
6.5	Han® Q 12/0	18
6.6	Han® PushPull Power 4/0 Quick Lock	19
6.7	Han® 7 D Quick Lock	20
6.8	Han® 8 D Quick Lock	21
6.9	Han DD® Module Quick Lock	22
6.10	Han® EE Module Quick Lock	23



1.0 Precise technique, so simple as Han-Quick Lock®

This new connection technique from HARTING combines the reliability and the simple operation of the cage clamp connection with the low space requirements of crimp technology.

Han-Quick Lock® is ideally suited to high contact densities and is considerably superior over other connection techniques. No other technology is so simple, space saving and fast. For this vibration safe connection, no special tools are necessary.

2.0 Fast, simple and compact!

Characteristics of Han-Quick Lock®

Fast, simple and robust termination technique • Field assembly without a special tool • Compatible with many approved Han® insert connectors • Combines high contact density similar to crimp termination with the simple connection like a cage clamp terminal

Suitable cable types

The termination technology allows to use extra fine wires according to VDE 0295, class 5

The following wires are not suitable:

• solid wires



• stranded wires



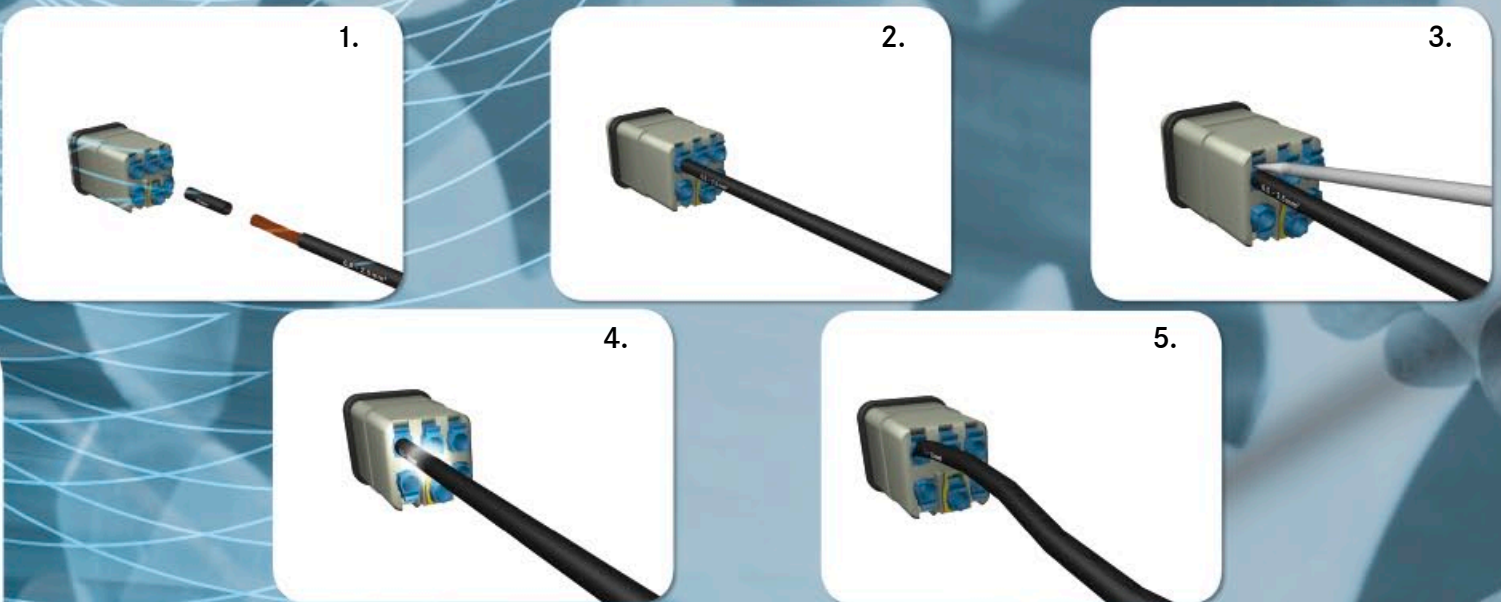
• twisted pair wires



Technical variables Han-Quick Lock®

Material:

Isolation body: polycarbonate • Active termination element: polycarbonate • Quick-Lock spring: stainless steel • Contact: copper alloy • Blue slide: Terminal cross-section 0.5 - 2.5 mm² / AWG 20 - 14
Black slide: Terminal cross-section 0.25 - 1.5 mm² / AWG 23 - 16 • Stripping length: 10 mm
Insulating resistance > 10¹⁰ Ohm • Flammability according to UL 94 V 0 • Mechanical working life ≥ 500 mating cycles • Termination tool: screwdriver 0.4 x 2.5 mm or 0.5 x 3.0 mm



2.1 Assembly

1. Step:

Removing cable sheath and wire stripping (10 mm). Do not twist conductors.

2. Step:

Insert wire into the **Han-Quick Lock**[®] contact chamber.

3. Step:

Push in the active termination element with a screwdriver until it comes to a stop.

4. Step:

Visual inspection - Check if the wire is deep enough in the contact chamber.

5. Step:

Tensile test - Check, whether the wire is in the contact chamber firmly enough.



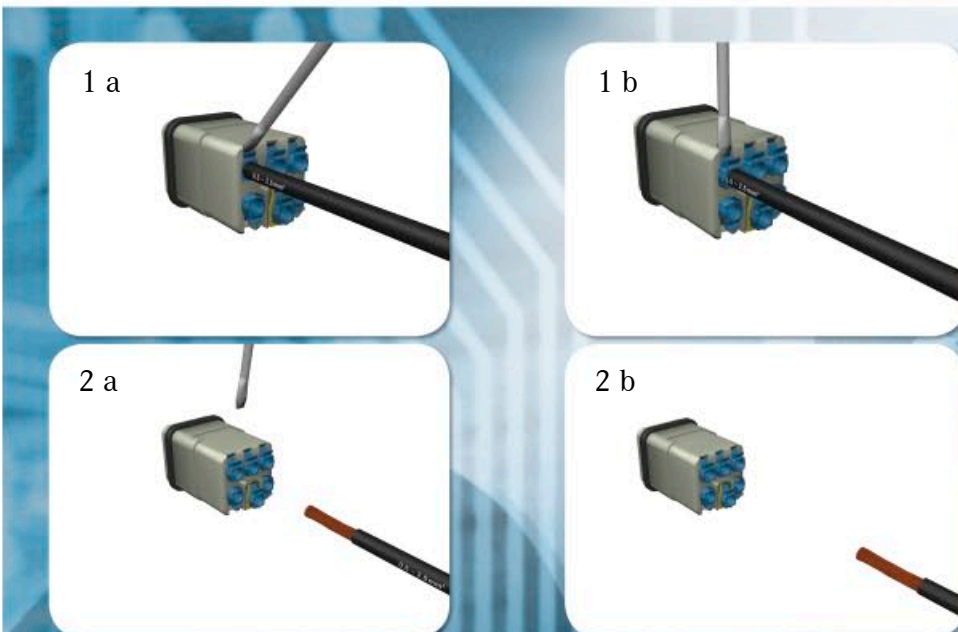
2.2 Disassembly

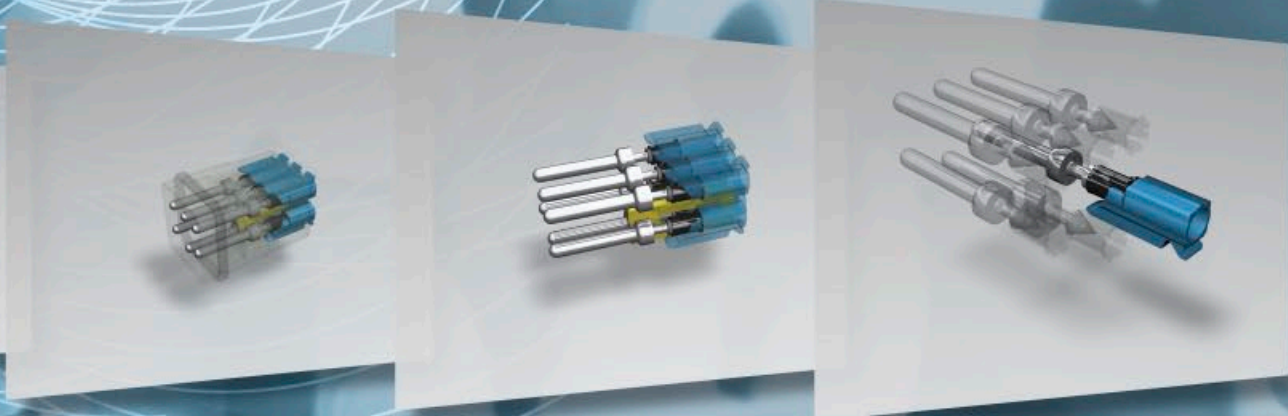
1 a/b Step:

Insert a screwdriver into the side slot of the active termination element at an angle and slide this out.

2 a/b Step:

Pull the wire out.





3.0 Complete build-up

The Han-**Quick Lock**® termination consists of three individual components:

1. Contact with cone
2. Spring
3. Active termination element

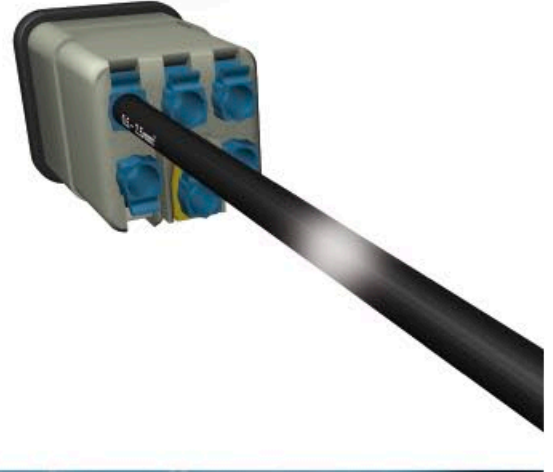


4.0 Active termination element

X-ray of the new **Han-Quick Lock**[®] connection showing the method of termination.

Photos showing the combination of wire, cone and spring.





5.0 Advantages of Han-Quick Lock®

Han-Quick Lock® is a new generation of connection technology.

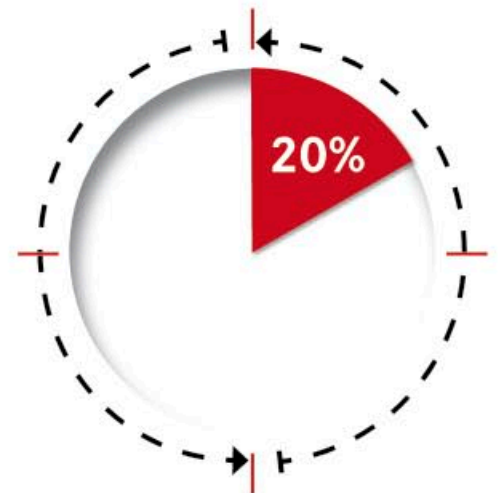
This HARTING patent technique offers a number of advantages which are explained more precisely on the following pages.

The special features of this connection technology are:

1. Time saving
2. High vibration safety
3. High wire pull out forces
4. Low contact resistance

5.1 Time saving

With use of Han-Quick Lock® a time saving of more than 20% is achieved against a traditional screw connection technique.

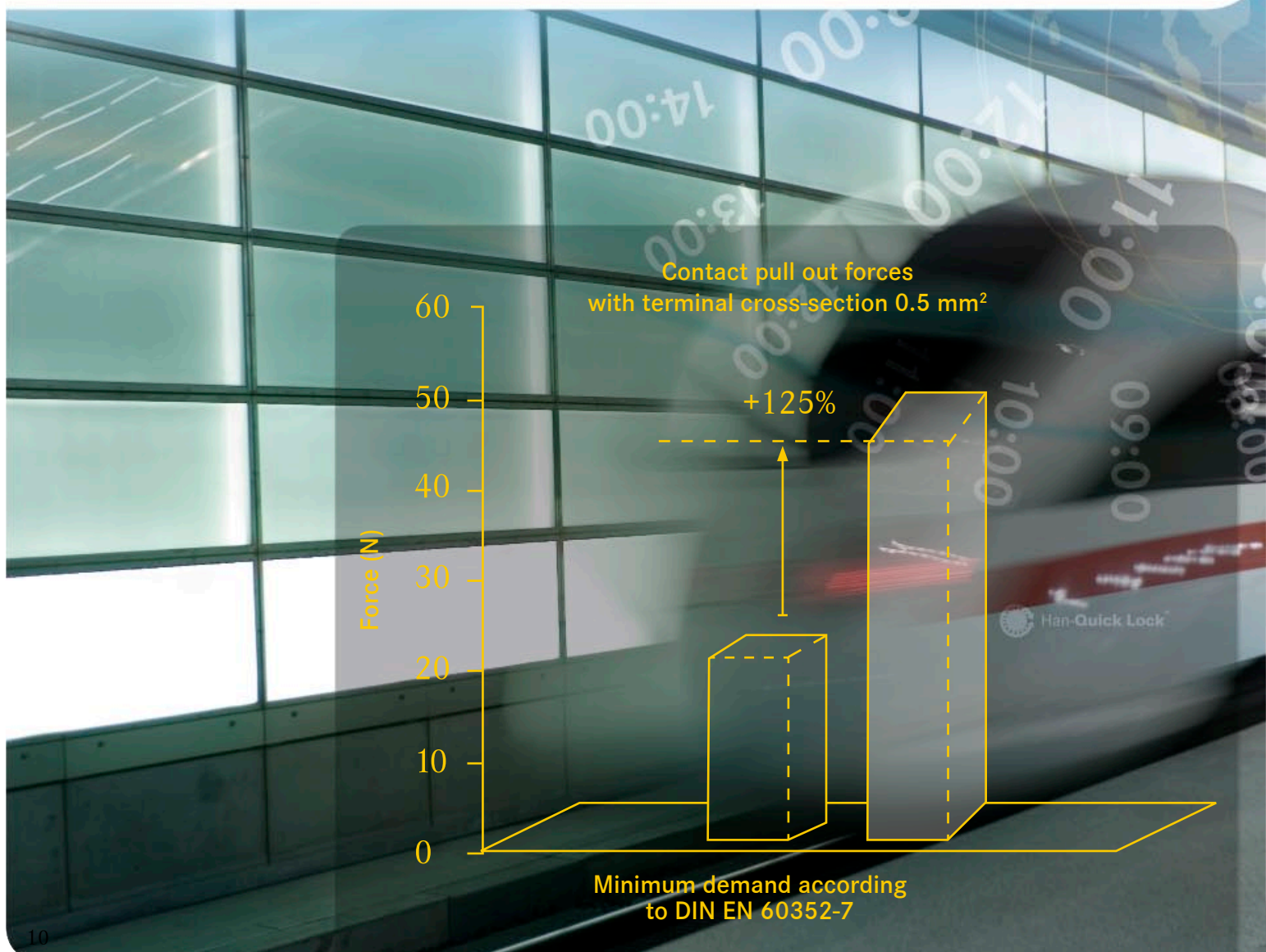


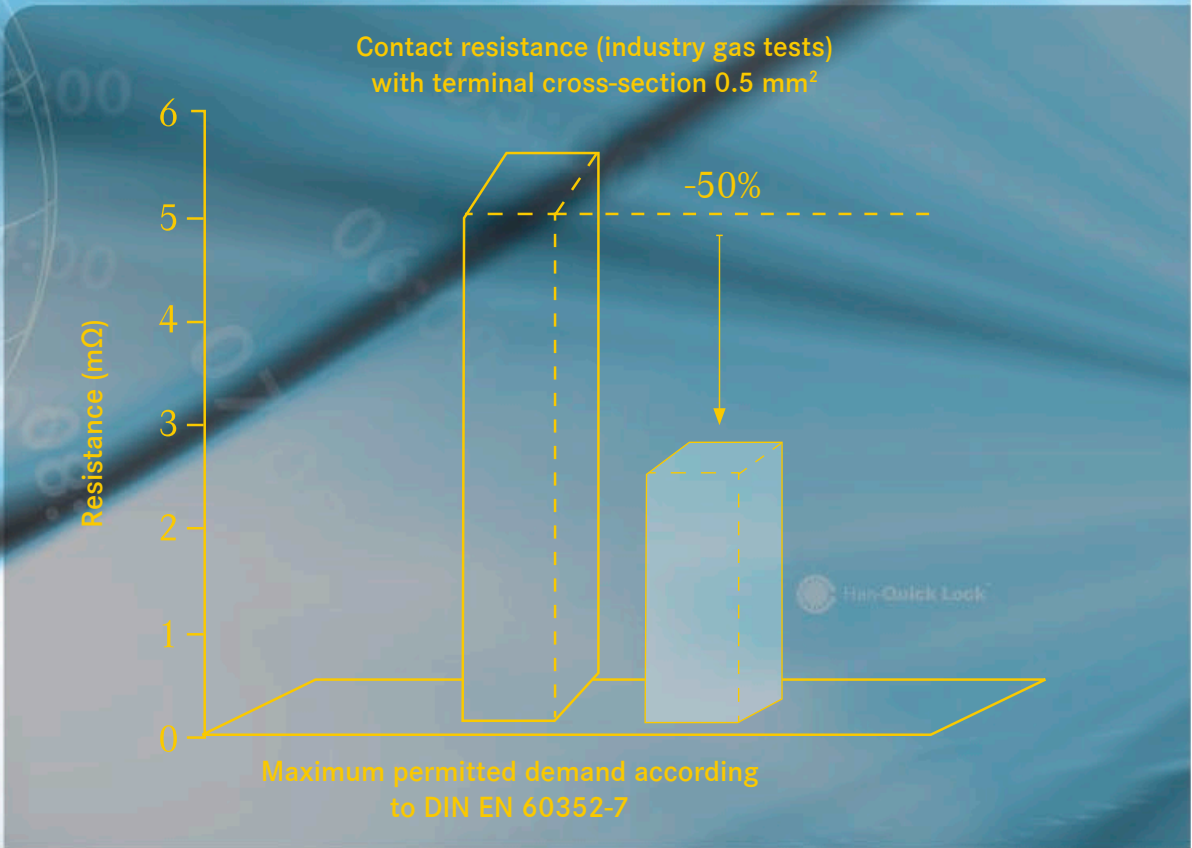
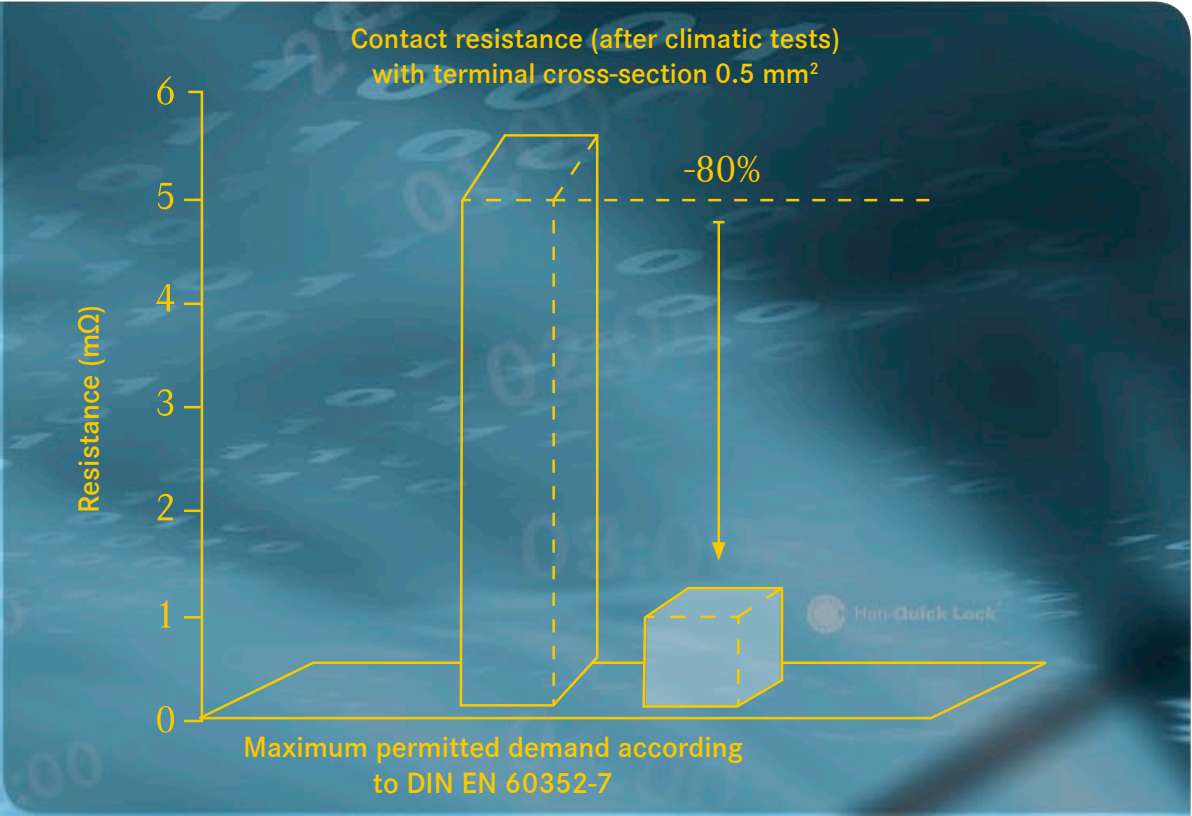
5.2 Vibration safety

The wires terminated with **Han-Quick Lock**[®] fulfil the high requirements (shock and vibration test according to DIN EN 61373) from the transportation market.

5.3 Contact pull out forces

The required minimum demands according to DIN EN 60352-7 are greatly exceeded.





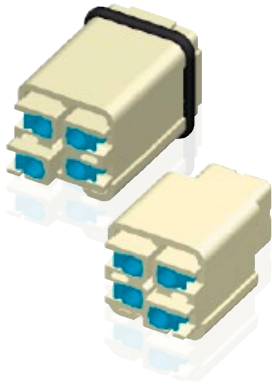
5.4 Contact resistance

Contact resistance **Han-Quick Lock**® termination achieves considerably lower figures than the permitted values after climate and gas tests according to DIN EN 60352-7.

6.0 Product portfolio

Overview of the existing product portfolio **Han-Quick Lock®**

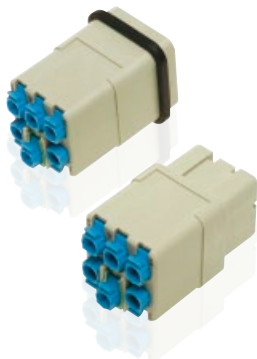
Han® 3 A



Han® 4 A



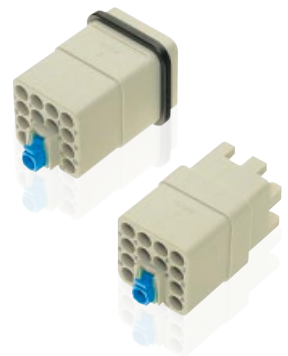
Han® Q 5/0



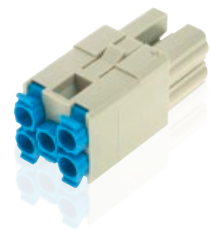
Han® Q 8/0



Han® Q 12/0



Han® PushPull Power 4/0



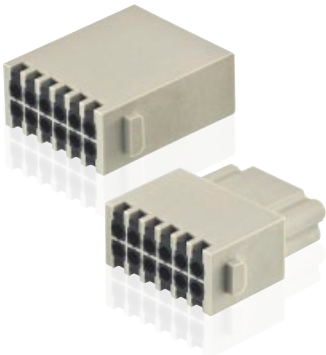
Han® 7 D



Han® 8 D



Han DD® Module



Han® EE Module



6.1 Han® 3 A Quick Lock

Characteristics

- Blue slide
- **Han-Quick Lock®** quick termination technology
- Field assembly without special tool
- Compatible with standard Han® 3 A inserts
- Reduced assembly times
- Fully compatible with the metal and plastic housings of the Han® 3 A series

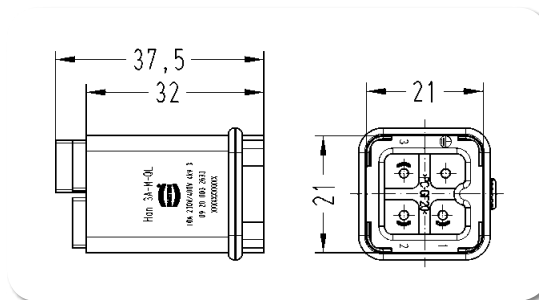
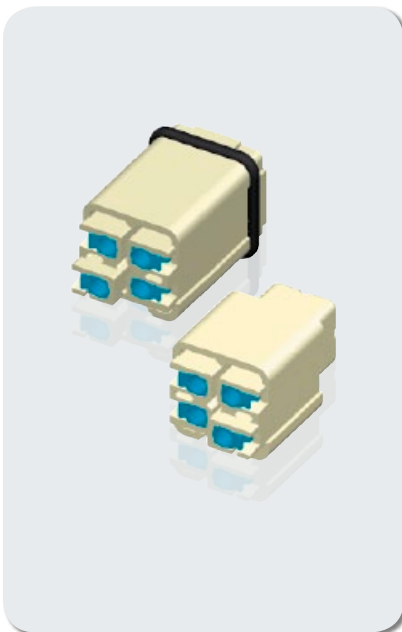
Technical details

- | | |
|--|-----------------------|
| • Degree of protection | IP 65 / IP 67 |
| • Number of contacts | 3 + PE |
| • Electrical data according to DIN EN 61 984 | 10 A 230/400 V 4 kV 3 |
| • Working current | 10 A |
| • Working voltage conductor-ground | 230 V |
| • Working voltage conductor-conductor | 400 V |
| • Rated impulse voltage | 4 kV |
| • Pollution degree | 3 |

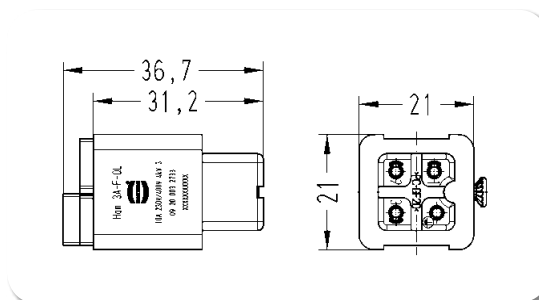
Termination

- | | |
|-----------------------------------|---|
| • Terminal cross-section | 0.5 - 2.5 mm ² (AWG 20 - 14) |
| • Insulation resistance | ≥ 10 ¹⁰ Ohm |
| • Material | Polycarbonate |
| • Flammability according to UL 94 | V 0 |
| • Mechanical working life | ≥ 500 mating cycles |

Han-Quick Lock®



Male insert
Part number: 09 20 003 2633



Female insert
Part number: 09 20 003 2733

6.2 Han® 4 A Quick Lock

Characteristics

- Blue slide
- **Han-Quick Lock®** quick termination technology
- Field assembly without special tool
- Compatible with standard Han® 4 A inserts
- Reduced assembly times
- Fully compatible with the metal and plastic housings of the Han® 3 A series

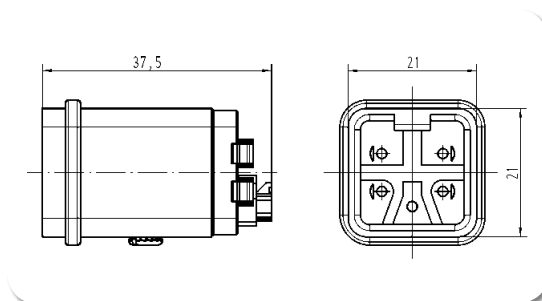
Technical details

- | | |
|--|-----------------------|
| • Degree of protection | IP 65 / IP 67 |
| • Number of contacts | 4 + PE |
| • Electrical data according to DIN EN 61 984 | 10 A 230/400 V 4 kV 3 |
| • Working current | 10 A |
| • Working voltage conductor-ground | 230 V |
| • Working voltage conductor-conductor | 400 V |
| • Rated impulse voltage | 4 kV |
| • Pollution degree | 3 |
| • Pollution degree 2 also | 10 A 320/500 V 4 kV 2 |

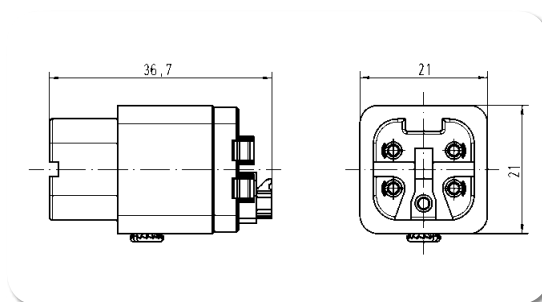
Termination

- | | |
|-----------------------------------|---|
| • Terminal cross-section | 0.5 - 2.5 mm ² (AWG 20 - 14) |
| • Insulation resistance | ≥ 10 ¹⁰ Ohm |
| • Material | Polycarbonate |
| • Flammability according to UL 94 | V 0 |
| • Mechanical working life | ≥ 500 mating cycles |

Han-Quick Lock®



Male insert
Part number: 09 20 004 2633



Female insert
Part number: 09 20 004 2733

6.3 Han® Q 5/0 Quick Lock

Characteristics

- Blue slide
- **Han-Quick Lock®** quick termination technology
- Field assembly without special tool
- Reduced assembly times
- Fully compatible with the metal and plastic housings of the Han® 3 A series
- Compatible with Han® Q 5/0 crimp inserts

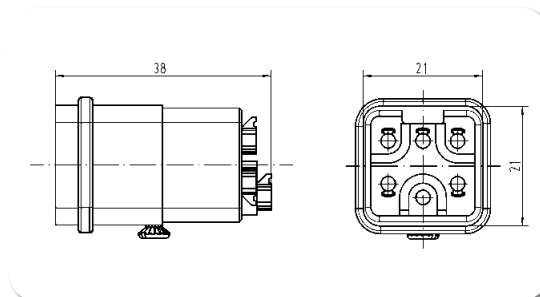
Technical details

- | | |
|---|-----------------------|
| • Degree of protection | IP 65 / IP 67 |
| • Number of contacts | 5 + PE |
| • Electrical data according to
DIN EN 61 984 | 16 A 230/400 V 4 kV 3 |
| • Working current | 16 A |
| • Working voltage conductor-ground | 230 V |
| • Working voltage conductor-conductor | 400 V |
| • Rated impulse voltage | 4 kV |
| • Pollution degree | 3 |
| • Pollution degree 2 also | 16 A 320/500 V 4 kV 2 |

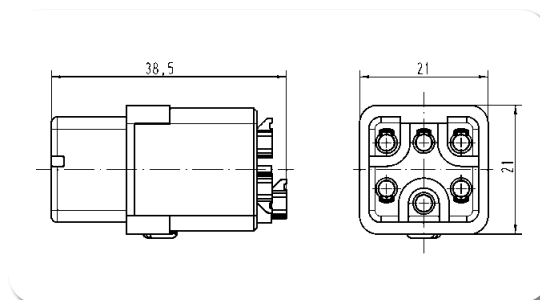
Termination

- | | |
|-----------------------------------|---|
| • Terminal cross-section | 0.5 - 2.5 mm ² (AWG 20 - 14) |
| • Insulation resistance | ≥ 10 ¹⁰ Ohm |
| • Material | Polycarbonate |
| • Flammability according to UL 94 | V 0 |
| • Mechanical working life | ≥ 500 mating cycles |

Han-Quick Lock®



Male
Part number: 09 12 005 2633



Female
Part number: 09 12 005 2733

6.4 Han® Q 8/0 Quick Lock

Characteristics

- Blue slide
- Han-**Quick Lock**® quick termination technology
- Field assembly without special tools
- Compatible with Han® Q 8/0 standard inserts with crimp terminal
- Reduced wiring times
- Insert suitable for plastic hoods and housings of the sizes Han-Compact®
- Space-saving and compact design
- Leading protective ground contact

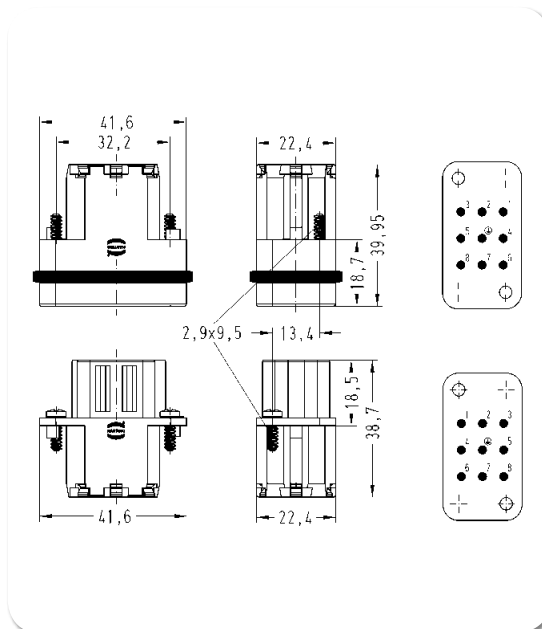
Technical details

- | | |
|--|----------------------------------|
| • Specifications | DIN EN 60 664-1
DIN EN 61 984 |
| • Number of contacts | 8 + PE |
| • Electrical data according to DIN EN 61 984 | 16 A 500 V 6 kV 3 |
| • Working current | 16 A |
| • Working voltage | 500 V |
| • Rated impulse voltage | 6 kV |
| • Pollution degree | 3 |
| • Pollution degree 2 also | 16 A 400/690 V 6 kV 2 |

Termination

- | | |
|-----------------------------------|---|
| • Terminal cross-section | 0.5 - 2.5 mm ² (AWG 20 - 14) |
| • Insulation resistance | ≥ 10 ¹⁰ Ohm |
| • Material | Polycarbonate |
| • Category temperature | -40 °C ... +125 °C |
| • Flammability according to UL 94 | V 0 |
| • Mechanical working life | ≥ 500 mating cycles |

Han-Quick Lock®



Male
Part number: 09 12 008 2633

Female
Part number: 09 12 008 2733

6.5 Han® Q 12/0

Characteristics

- Blue slide
- PE-contact with **Han-Quick Lock®** quick termination technology
- 16x coding possibilities without loss of a contact place
- Fully compatible with the metal and plastic housings of the Han® 3 A series
- 12 contact chambers for the contacts of the series Han D® with crimp termination

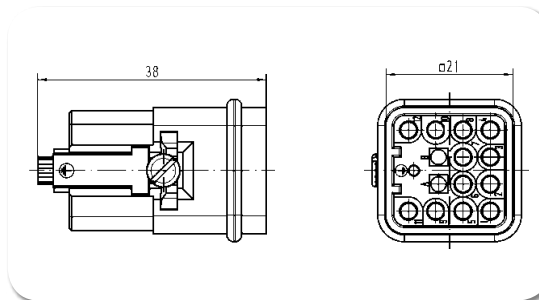
Technical details

- | | |
|--|--|
| • Specifications | DIN VDE 0627 / 0110
DIN EN 61 984 |
| • Number of contacts | 12 + PE |
| • Electrical data according to DIN EN 61 984 | 10 A 400 V 6 kV 3 |
| • Working current | 10 A |
| • Working voltage | 400 V |
| • Rated impulse voltage | 6 kV |
| • Pollution degree | 3 |
| • Pollution degree 2 also | 10 A 400/690 V 6 kV 2 |
| • Termination Han D® contacts | Crimp; 0.14 - 2.5 mm ²
(AWG 26 - 14) |

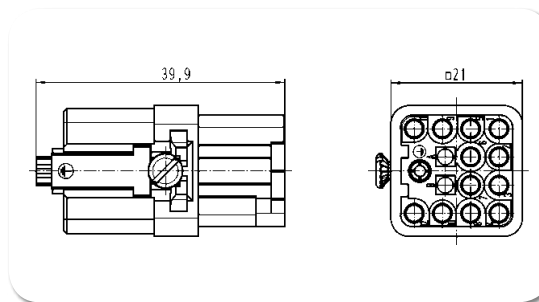
Termination PE-contact

- | | |
|-------------------------------------|---|
| • Terminal cross-section PE-contact | 0.5 - 2.5 mm ² (AWG 20 - 14) |
| • Insulation resistance | ≥ 10 ¹⁰ Ohm |
| • Material | Polycarbonate |
| • Category temperature | -40 °C ... +125 °C |
| • Flammability according to UL 94 | V 0 |
| • Mechanical working life | ≥ 500 mating cycles |

Han-Quick Lock®



Male
Part number: 09 12 012 3001



Female
Part number: 09 12 012 3101

6.6 Han® PushPull Power 4/0 Quick Lock

Characteristics

- HARTING PushPull Technologie
- Compact, space-saving design
- Finger protection

Technical details

- Locking device
- Degree of protection
- Number of contacts
- Electrical data according to DIN EN 61 984
- Cable diameter

PushPull-Technologie
IP 65 / IP 67
4 + PE

16 A 690 V 4 kV 3
4 - 11 mm metal version
9 -13 mm plastic version

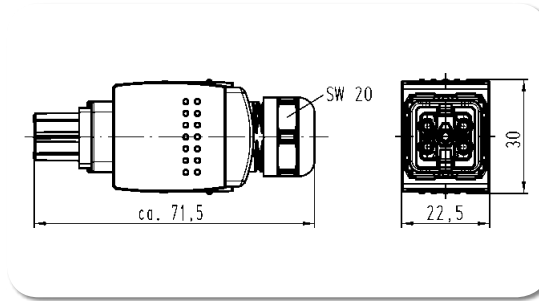
Termination

- Terminal cross-section
- Housing material

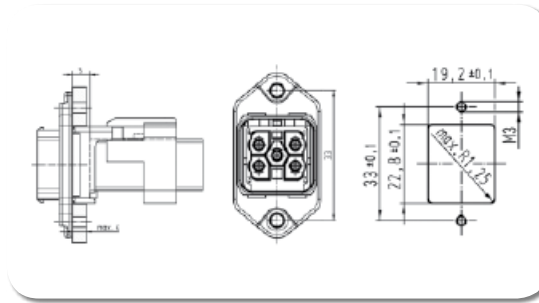
Han-Quick Lock®

0.5 - 2.5 mm² (AWG 20 - 14)
Zinc die-cast (nickel plated),
Plastic

Metal

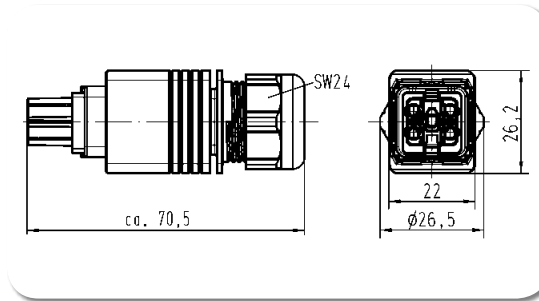


Cable side female
Part number: 09 35 232 0401

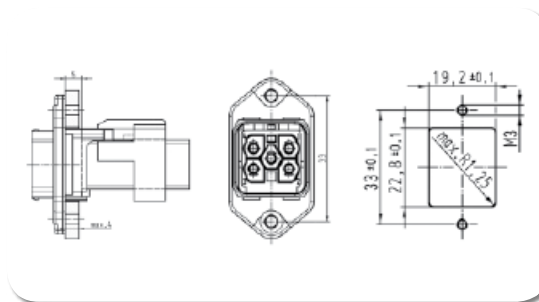


Bulkhead mounting male
Part number: 09 35 232 0313

Plastic



Cable side female
Part number: 09 35 232 0421



Bulkhead mounting male
Part number: 09 35 232 0333

6.7 Han® 7 D Quick Lock

Characteristics

- Black slide
- Han-**Quick Lock**® quick termination technology
- Field assembly without special tools
- Compatible with Han® 7 D standard inserts with crimp terminals
- Reduced wiring times
- Insert suitable for plastic hoods and housings using the Han® 3 A size
- Space-saving and compact design
- Leading protective ground contact

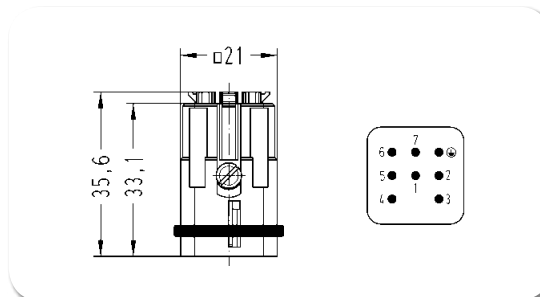
Technical details

- | | |
|--|--|
| • Specifications | DIN EN 60 664-1
DIN EN 61 984
7 + PE |
| • Number of contacts | 10 A 250 V 4 kV 3 |
| • Electrical data according to DIN EN 61 984 | 10 A |
| • Working current | 250 V |
| • Working voltage | 4 kV |
| • Rated impulse voltage | 3 |
| • Pollution degree | 10 A 230/400 V 4 kV 2 |
| • Pollution degree 2 also | |

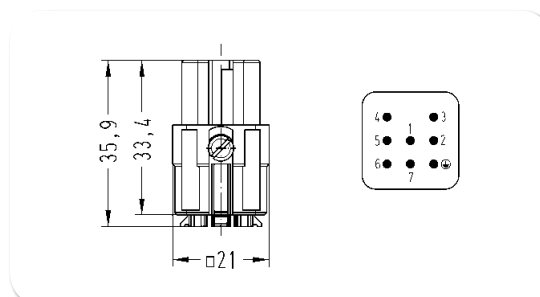
Termination

- | | |
|-----------------------------------|--|
| • Terminal cross-section | 0.25 - 1.5 mm ² (AWG 24 - 16) |
| • Insulation resistance | ≥ 10 ¹⁰ Ohm |
| • Material | Polycarbonate |
| • Category temperature | -40 °C ... +125 °C |
| • Flammability according to UL 94 | V 0 |
| • Mechanical working life | ≥ 500 mating cycles |

Han-Quick Lock®



Male
Part number: 09 21 007 2632



Female
Part number: 09 21 007 2732

6.8 Han® 8 D Quick Lock

Characteristics

- Black slide
- Han-**Quick Lock**® quick termination technology
- Field assembly without special tools
- Compatible with Han® 8 D standard inserts with crimp terminals
- Reduced wiring times
- Insert suitable for metal hoods and housings using the Han® 3 A size
- Space-saving and compact design
- Leading protective ground contact

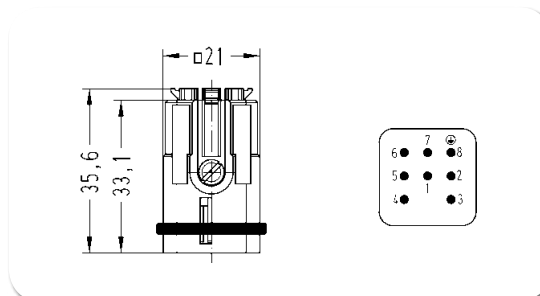
Technical details

- | | |
|--|----------------------------------|
| • Specifications | DIN EN 60 664-1
DIN EN 61 984 |
| • Number of contacts | 8 |
| • Electrical data according to DIN EN 61 984 | 10 A ~50 V / -120 V 4 kV 3 |
| • Working current | 10 A |
| • Working voltage | ~50 V / -120 V |
| • Rated impulse voltage | 4 kV |
| • Pollution degree | 3 |

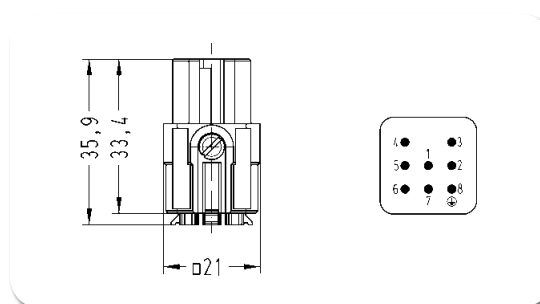
Termination

- | | |
|-----------------------------------|--|
| • Terminal cross-section | 0.25 - 1.5 mm ² (AWG 24 - 16) |
| • Insulation resistance | ≥ 10 ¹⁰ Ohm |
| • Material | Polycarbonate |
| • Category temperature | -40 °C ... +125 °C |
| • Flammability according to UL 94 | V 0 |
| • Mechanical working life | ≥ 500 mating cycles |

Han-Quick Lock®



Male
Part number: 09 12 012 3001



Female
Part number: 09 12 012 3101

6.9 Han DD® Module Quick Lock

Characteristics

- Black slide
- Han-**Quick Lock**® quick termination technology
- Field assembly without special tools
- Mating compatible with standard Han DD® Module with crimp terminal
- Reduced wiring times

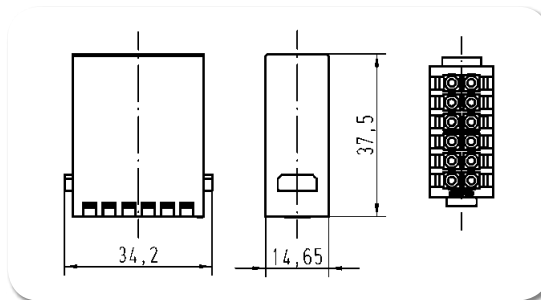
Technical details

- Specifications

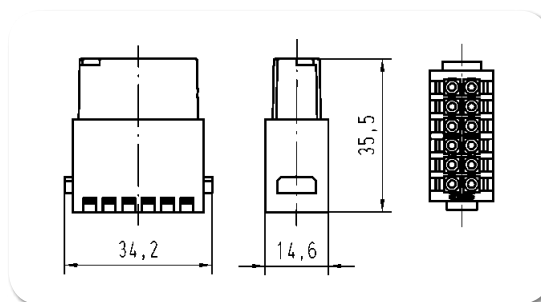
DIN EN 60 664-1
DIN EN 61 984
12
10 A 250 V 4 kV 3
10 A
250 V
4 kV
3
- Number of contacts
- Electrical data according to DIN EN 61 984
- Working current
- Working voltage
- Rated impulse voltage
- Pollution degree

Termination

- Terminal cross-section
 - Insulation resistance
 - Material
 - Category temperature
 - Flammability according to UL 94
 - Mechanical working life
- | |
|--|
| Han-Quick Lock ® |
| 0.25 - 1.5 mm ² (AWG 24 - 16) |
| ≥ 10 ¹⁰ Ohm |
| Polycarbonate |
| -40 °C ... +125 °C |
| V 0 |
| ≥ 500 mating cycles |



Male
Part number: 09 14 012 2632



Female
Part number: 09 14 012 2732

6.10 Han® EE Module Quick Lock

Characteristics

- Blue slide
- Han-**Quick Lock**® quick termination technology
- Field assembly without special tools
- Mating compatible with standard Han® EE module with crimp terminal
- Reduced wiring times

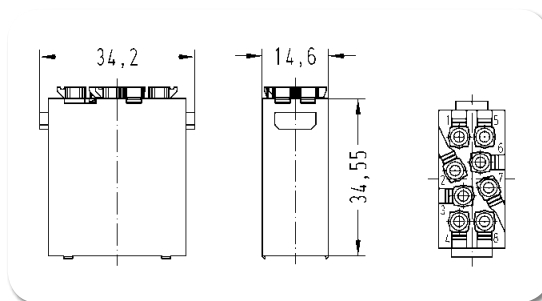
Technical details

- | | |
|--|----------------------------------|
| • Specifications | DIN EN 60 664-1
DIN EN 61 984 |
| • Number of contacts | 8 |
| • Electrical data according to DIN EN 61 984 | 16 A 400 V 6 kV 3 |
| • Working current | 16 A |
| • Working voltage | 400 V |
| • Rated impulse voltage | 6 kV |
| • Pollution degree | 3 |
| • Pollution degree 2 also | 16 A 400/690 V 6 kV 2 |

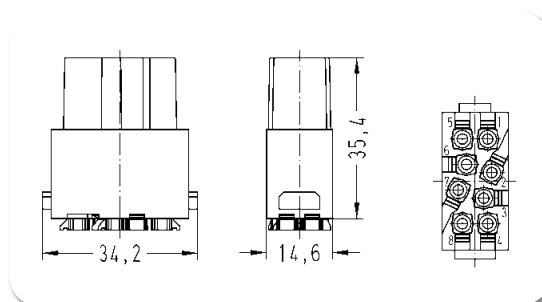
Termination

- | | |
|-----------------------------------|---|
| • Terminal cross-section | 0.5 - 2.5 mm ² (AWG 20 - 14) |
| • Insulation resistance | ≥ 10 ¹⁰ Ohm |
| • Material | Polycarbonate |
| • Category temperature | -40 °C ... +125 °C |
| • Flammability according to UL 94 | V 0 |
| • Mechanical working life | ≥ 500 mating cycles |

Han-Quick Lock®

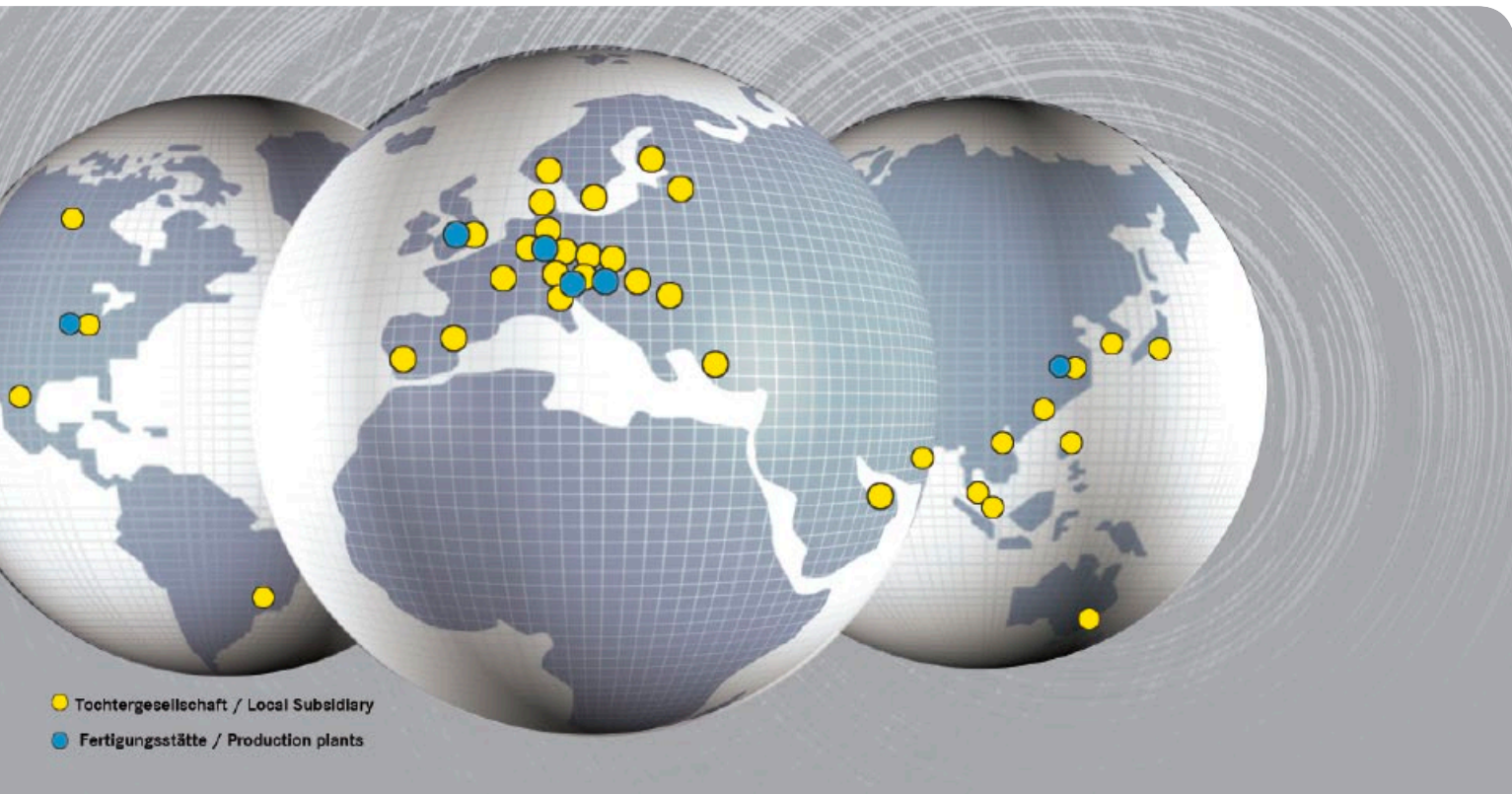


Male
Part number: 09 14 008 2633



Female
Part number: 09 14 008 2733





Sales Network – worldwide



Albania

see Eastern Europe

Argentina

see Brazil

Armenia

see Eastern Europe

Australia

HARTING Pty Ltd
Suite 11 / 2 Enterprise Drive
Bundoora 3083, AUS-Victoria
Phone +61 9466 7088
Fax +61 9466 7088
au@HARTING.com
www.HARTING.com

Austria

HARTING Ges.m.b.H.
Deutschstraße 19, A-1230 Wien
Phone +431 6162121
Fax +431 6162121-21
at@HARTING.com
www.HARTING.at

Azerbaijan

see Eastern Europe

Belarus

see Eastern Europe

Belgium

HARTING N.V./S.A.
Z.3 Doornveld 23, B-1731 Zellik
Phone +32 2 466 0190
Fax +32 2 466 7855
be@HARTING.com
www.HARTING.be

Bosnia and Herzegovina

see Eastern Europe

Brazil

HARTING Ltda.
Av. Dr. Lino de Moraes
Pq. Jabaquara, 255
CEP 04360-001 – São Paulo –
SP – Brazil
Phone +55 11 5035 0073
Fax +55 11 5034 4743
br@HARTING.com
www.HARTING.com.br

Brunei

see Singapore

Bulgaria

see Eastern Europe

Canada

see USA

China

Zhuhai HARTING Limited
Shanghai branch
Room 5403, HK New World Tower
300 Huai Hai Road (M.)
Shanghai 200021, China
Phone +86 21 6386 2200
Fax +86 21 6386 8636
cn@HARTING.com
www.HARTING.com.cn

Croatia

see Eastern Europe

Czech Republic

HARTING s.r.o.
Ml'ynská 2, CZ-160 00 Praha 6
Phone +420 220 380 460
Fax +420 220 380 461
cz@HARTING.com
www.HARTING.cz

Denmark

HARTING ApS
Phone +45 75 67 43 42
Fax +45 75 67 43 43
dk@HARTING.com
www.HARTING.com

Denmark

Wexøe A/S
Lejrvej 31, DK-3500 Vaerloese
Phone +4545465800
Fax +4545465801
wexoe@wexoe.dk
www.wexoe.dk

Eastern Europe

HARTING Eastern Europe GmbH
Bamberger Straße 7
D-01187 Dresden
Phone +49 351 4361 760
Fax +49 351 436 1770
Eastern.Europe@HARTING.com
www.HARTING.com

Estonia

see Eastern Europe

Finland

HARTING Oy
Teknobulevardi 3-5, PL 35
FI-01530 Vantaa
Phone +358 9 350 87 300
Fax +358 9 350 87 320
fi@HARTING.com
www.HARTING.fi

France

HARTING France
181 avenue des Nations, Paris Nord 2
BP 66058 Tremblay en France
F-95972 Roissy Charles de Gaulle
Cédex
Phone +33 1 4938 3400
Fax +33 1 4863 2306
fr@HARTING.com
www.HARTING.fr

Germany

HARTING Deutschland GmbH & Co. KG
P.O. Box 2451, D-32381 Minden
Simeons carré 1, D-32427 Minden
Phone +49 571 8896 0
Fax +49 571 8896 282
de@HARTING.com
www.HARTING-Deutschland.de

Germany (Office)

HARTING Deutschland GmbH & Co. KG
Blankenauer Straße 99
D-09113 Chemnitz
Phone +49 0371 429211
Fax +49 0371 429222
de.sales@HARTING.com
www.HARTING-Deutschland.de

Georgia

see Eastern Europe

Great Britain

HARTING Ltd., Caswell Road
Brackmills Industrial Estate
GB-Northampton, NN4 7PW
Phone +44 1604 827 500
Fax +44 1604 706 777
gb@HARTING.com
www.HARTING.co.uk

Hong Kong

HARTING (HK) Limited
Regional Office Asia Pacific
3512 Metroplaza Tower 1
223 Hing Fong Road
Kwai Fong, N. T., Hong Kong
Phone +852 2423 7338
Fax +852 2480 4378
ap@HARTING.com
www.HARTING.com.hk

Hungary

HARTING Magyarország Kft.
Fehérvári út 89-95, H-1119 Budapest
Phone +36 1 205 34 64
Fax +36 1 205 34 65
hu@HARTING.com
www.HARTING.hu

India

HARTING India Private Limited
No. D, 4th Floor, 'Doshi Towers'
No. 156 Poonamallee High Road
Kilpauk, Chennai 600 010
Tamil Nadu, India
Phone +91 44 435604 15 / 016
Fax +91 44 435604 17
in@HARTING.com
www.HARTING.com

Indonesia

see Malaysia

Island

Smith & Norland, Nóatún 4
IS – 105 Reykjavik
Phone +354 520 3000, Fax +354 520 3011
olaf@sminor.is, www.sminor.is

Israel

COMTEL
Israel Electronics Solutions Ltd.
Bet Hapamon, 20 Hataas st.
P.O.Box 66
Kefar-Saba 44425
Phone +972-9-7677240
Fax +972-9-7677243
sales@comtel.co.il
www.comtel.co.il

Italy

HARTING SpA
Via Dell' Industria 7
I-20090 Vimodrone (Milano)
Phone +39 02 250801
Fax +39 02 2650 597
it@HARTING.com
www.HARTING.it

Japan

HARTING K. K.
Yusen Shin-Yokohama 1 Chome Bldg., 2F
1-7-9, Shin-Yokohama, Kohoku-ku
Yokohama 222-0033 Japan
Phone +81 45 476 3456
Fax +81 45 476 3466
jp@HARTING.com
www.HARTING.co.jp

Kazakhstan

see Eastern Europe

Kirghizia

see Eastern Europe

Korea (South)

HARTING Korea Limited
#308 Yatap Leaders Building, 342-1
Yatap-dong, Bundang-gu
Sunghnam-City, Kyunggi-do
463-828, Republic of Korea
Phone +82 31 781 4615
Fax +82 31 781 4616
kr@HARTING.com
www.HARTING.com.cn/kr

Kosovo

see Eastern Europe

Latvia

see Eastern Europe

Lithuania

see Eastern Europe

Macedonia

see Eastern Europe

Malaysia (Office)

HARTING Singapore Pte Ltd
Malaysia Branch
11-02 Menara Amcorp
Jln. Persiaran Barat
46200 PJ, Sel. D. E., Malaysia
Phone +60 3 / 7955 6173
Fax +60 3 / 7955 5126
sg@HARTING.com

Montenegro

see Eastern Europe

Netherlands

HARTING B.V.
Larenweg 44
NL-5234 KA 's-Hertogenbosch
Postbus 3526
NL-5203 DM 's-Hertogenbosch
Phone +31 736 410 404
Fax +31 736 440 699
nl@HARTING.com
www.HARTINGbv.nl

Norway

HARTING A/S
Øststensjøveien 36, N-0667 Oslo
Phone +47 22 700 555
Fax +47 22 700 570
no@HARTING.com
www.HARTING.no

Philippines

see Malaysia



Poland

HARTING Polska Sp. z o. o.
ul. Kamieńskiego 201-219
PL-51-126 Wrocław
Phone +48 71 352 81 71
Fax +48 71 320 74 44
pl@HARTING.com
www.HARTING.pl

Portugal

HARTING Iberia, S. A.
Avda. Josep Tarradellas 20-30, 4º 6ª
E-08029 Barcelona
Phone +351 219 673 177
Fax +351 219 678 457
es@HARTING.com
www.HARTING.es/pt

Republic of Moldova

see Eastern Europe

Romania

HARTING Romania SCS
Europa Unita str. 21
550018-Sibiu, Romania
Phone +40 369-102 671
Fax +40 369-102 622
ro@HARTING.com
www.HARTING.com

Russia

HARTING ZAO
Maliy Sampsoniyevsky prospect 2A
194044 Saint Petersburg, Russia
Phone +7 812 327 6477
Fax +7 812 327 6478
ru@HARTING.com
www.HARTING.ru

Serbia

see Eastern Europe

Singapore

HARTING Singapore Pte Ltd.
25 International Business Park
#02-06 German Centre
Singapore 609916
Phone +65 6225 5285
Fax +65 6225 9947
sg@HARTING.com
www.HARTING.com

Slovakia

HARTING s.r.o.
Sales office Slovakia
Povážska 2, SK - 940 67 Nové Zámky
Phone +421 356-493 993
Fax +421 356-402 114
sk@HARTING.com
www.HARTING.sk

Slovenia

see Eastern Europe

South Africa

HellermannTyton Pty Ltd.
Private Bag X158 Rivonia 2128
34 Milky Way Avenue
Linbro Business Park 2065, Johannesburg
Phone +27(0)11879-6600
Fax +27(0)11879-6606
sales.jhb@hellermann.co.za

Spain

HARTING Iberia S.A.
Avda. Josep Tarradellas 20-30 4º 6ª
E-08029 Barcelona
Phone +34 93 363 84 75
Fax +34 93 419 95 85
es@HARTING.com
www.HARTING.es

Sweden

HARTING AB
Gustavslundsvägen 141 B 4tr
S-167 51 Bromma
Phone +46 8 445 7171
Fax +46 8 445 7170
se@HARTING.com
www.HARTING.se

Switzerland

HARTING AG
Industriestrasse 26
CH-8604 Volketswil
Phone +41 44 908 20 60
Fax +41 44 908 20 69
ch@HARTING.com
www.HARTING.ch

Taiwan

HARTING R.O.C. Limited
Room 1, 5/F
495 GuangFu South Road
RC-110 Taipei, Taiwan
Phone +886 227 586 177
Fax +886 227 587 177
tw@HARTING.com
www.HARTING.com.tw

Tajikistan

see Eastern Europe

Thailand

see Malaysia

Turkey

Gökhan Elektrik San. Tic. Ltd. Sti.
Perpa Elektrikçiler Is Merkezi A Blok
Kat:7-8-9 No.694
80270 Okmeydani/Istanbul
Phone +90(212) 2213236 (pbx)
Fax +90(212) 2213240
gokhan@gokhanelektrik.com.tr
www.gokhanelektrik.com

Turkmenistan

see Eastern Europe

Ukraine

see Eastern Europe

USA

HARTING Inc. of North America
1370 Bowes Road
USA-Elgin, Illinois 60123
Phone +1 (877) 741-1500 (toll free)
Fax +1 (866) 278-0307 (Inside Sales)
Fax +1 (847) 717-9430 (Sales and Marketing)

us@HARTING.com
www.HARTING-USA.com

Uzbekistan

see Eastern Europe

Vietnam (Office)

HARTING Singapore Pte Ltd
Hanoi Representative Office
Suite 616, 6th Floor
Press Club Building
59A Ly Thai To Street
Hoan Kiem District
Hanoi, Vietnam
Phone +84 4 / 3936 7851
Fax +84 4 / 3936 8069
sg@HARTING.com

Distributors – worldwide



Farnell:
www.farnell.com

RS Components:
www.rs-components.com

Other countries and general contact



HARTING Electric GmbH & Co. KG
P.O. Box 1473, D-32328 Espelkamp
Phone +49 5772 47-97100
Fax +49 5772 47-495
electric@HARTING.com



Pushing Performance

www.HARTING.com