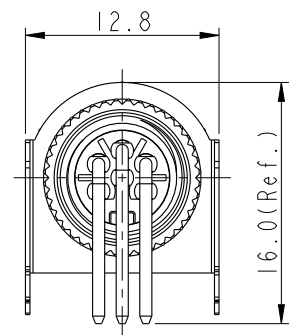
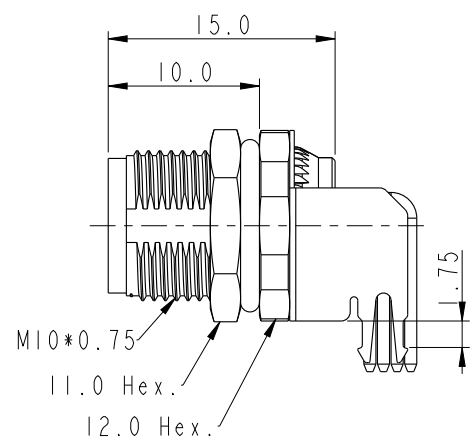
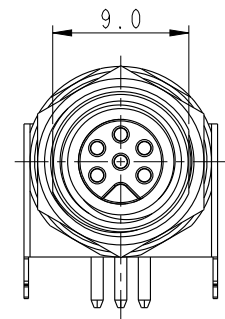


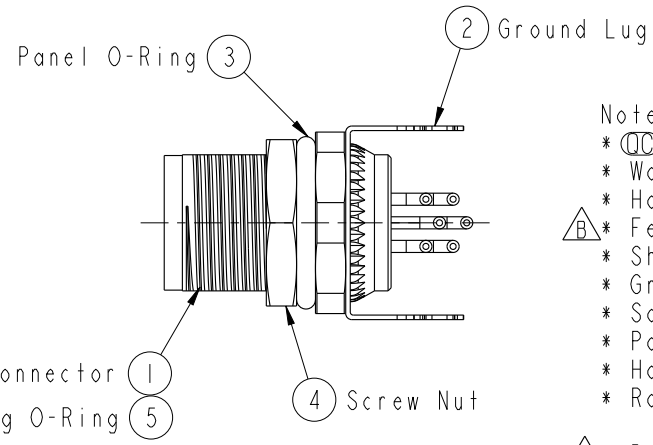
THIS DOCUMENT IS SUBJECT TO CHANGE WITHOUT NOTICE. IT IS CONFIDENTIAL AND A PROPERTY OF AMPHENOL LTW. DISCLOSURE TO THIRD PARTY HAS TO BE AUTHORIZED BY AMPHENOL LTW.

REV.	ECN NO.	DATE	SIGN	DESCRIPTION
B	LEN16B0005-009	2016/11/01	Yulong_wang	Change the Note.

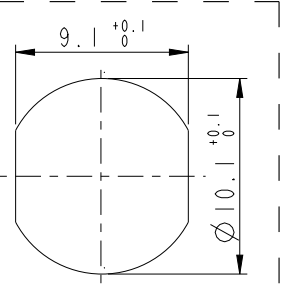


ALTW
 CONFIDENTIAL
 2016-11-01
 R&D DEPT.

ALTW
 DCC. DEPT.
 CONFIDENTIAL
 2016.11.04
 ISSUED



- Note:
- * $\text{\textcircled{C}}$ Important Dimension.
 - * Waterproof Rate: IP68.
 - * Housing: Nylon+GF, Black.
 - * $\text{\textcircled{B}}$ Female Pin: Copper Alloy, Gold Plated.
 - * Shell: Metal, Nickel Plated.
 - * Ground Lug: Copper Alloy, Nickel Plated.
 - * Screw Nut: Copper Alloy, Nickel Plated.
 - * Panel O-Ring: Viton, Green.
 - * Housing O-Ring: Viton, Green.
 - * Rated Voltage: 2 & 3Pin 60V dc. or ac.
4 ~ 6Pin 30V dc. or ac.
 - * $\text{\textcircled{B}}$ Rated Current: 2 ~ 4Pin 3A
5 & 6Pin 1.5A
 - * Operating Temperature: -20~+85°C
 - * For Panel Thickness: Min=2.0mm, Max=4.5mm.
 - * For PCB Thickness: Max=1.6mm.
 - * Recommended Nut Torque: 4~6kgf.cm.



Recommended Panel Cut-Out

UNIT: mm		
TOLERANCE		
.X	±0.25	
.XX	±0.1	
.XXX	±0.05	
ANGLES	±1°	

TITLE M8 Female Conn. Panel 90° PCB Type w/Key Shielded			
SCALE 2:1	SIZE A4	SHEET 1 OF 2	
REV. B	WC-REV. A.6	$\text{\textcircled{C}}$: Inspection item	


Amphenol LTW
 安費諾亮泰企業股份有限公司

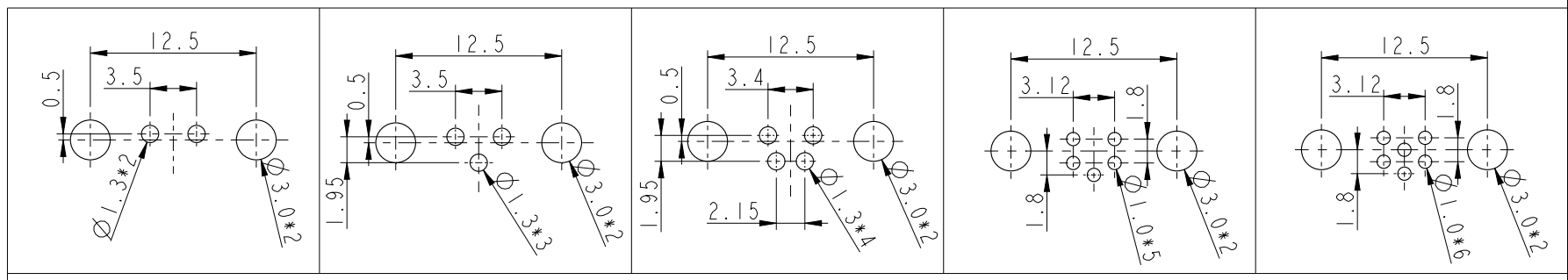
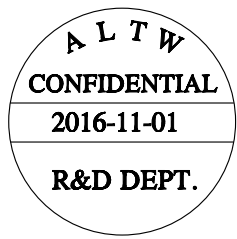
ITEM NO.	DRAWN BY Yulong_wang	DATE 2016-11-01
DWG NO. M8AS-XXPFFR-SF8001	CHECKED BY Jinhai	DATE 2016-11-01
CUSTOMER ALTW	APPROVED BY Jerry	DATE 2016-11-01

THIS DOCUMENT IS SUBJECT TO CHANGE WITHOUT NOTICE. IT IS CONFIDENTIAL AND A PROPERTY OF Amphenol LTW. DISCLOSURE TO THIRD PARTY HAS TO BE AUTHORIZED BY Amphenol LTW.

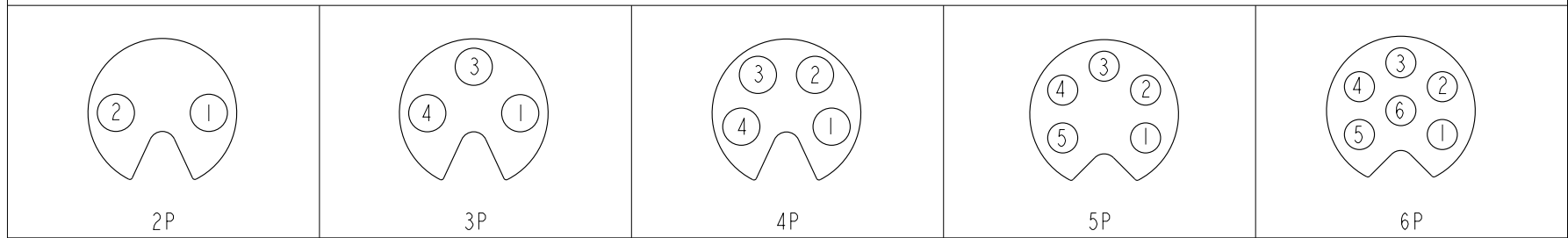
M 8AS - XX P F F R - S F 8 001

8AS: M8 Sensor Shielded(w/Key)
 02: 2Pin
 03: 3Pin
 04: 4Pin
 05: 5Pin
 06: 6Pin
 P: Panel(板端)
 F: Female Connector(母座)

001: Phantom(虛擬料號)
 8: IP68(防水等級68)
 F: Front Fasten(前鎖式/Enclosure Rear Mount)
 S: Screw(螺紋式)
 R: 90° PCB THT/DIP Type(90° 基板插件式)
 F: Female Pin(母Pin) 



Recommend PCB Layout



Pin Assignmen Front View

UNIT: mm

TOLERANCE	
.X	±0.25
.XX	±0.1
.XXX	±0.05
ANGLES	±1°

TITLE M8 Female Conn. Panel 90° PCB Type w/Key Shielded			
SCALE 2:1	SIZE A4	SHEET 2 OF 2	
REV. B	WC-REV. A.6	QC: Inspection item	

Amphenol LTW
 安費諾亮泰企業股份有限公司

ITEM NO	DWG NO	CUSTOMER
	M8AS-XXPFFR-SF8001	ALTW

DRAWN BY Yulong_wang	CHECKED BY Jinhai	APPROVED BY Jerry
-------------------------	----------------------	----------------------

DATE 2016-11-01	DATE 2016-11-01	DATE 2016-11-01
--------------------	--------------------	--------------------