

Metalized Plastic Hoods

DPPK-M+D-Sub Solder Cup

TECHNICAL SPECIFICATIONS

D-Sub Hood:

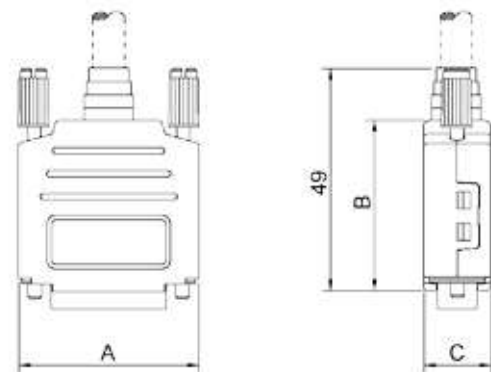
Material: UL Recognised Plastic Material
 Plating: Nickel over Copper
 Operating Temperature: -55°C to +105°C
 Cable Entry: Top
 Thumbscrews: UNC 4-40 (Standard)
 Cable O.D: Up to 11,5mm

Standard D-Sub Solder Cup:

Insulator: Glass filled TP, UL94 V-0
 Shell: Steel, Tin Plated
 Contact pins: Copper Alloy
 Gold Flash over Ni.
 Stamped & Formed Pins: Class 3, 100 inserts min.
 Contact Plating: Gold flash over Nickel
 Operating Temperature: -55°C to +85°C
 Withstanding voltage: >1000V Rms to 50 Hz
 for 1 minute
 Current Rating: 5A
 Insulator resistance: >5000MΩ min.

Features:

- Available in sizes 9, 15, 25 and 37-way
- Quick-Snap locking system
- Re-openable



Size DPPK-M	Dim A	Dim B	Dim C
9-way	32,5	38,0	15,0
15-way	41,0	38,0	15,0
25-way	54,5	40,0	15,0
37-way	71,0	40,0	15,0

Ordering information:

Standard D-Sub Connector Kits

Size:	P/N - Kitted:	Description:
9-way	L17DPPK-M-09+L717SDE09P	Solder Cup, 9-Male
15-way	L17DPPK-M-15+L717SDA15P	Solder Cup, 15-Male
25-way	L17DPPK-M-25+L717SDB25P	Solder Cup, 25-Male
37-way	L17DPPK-M-37+L717SDC37P	Solder Cup, 37-Male

Size:	P/N - Kitted:	Description:
9-way	L17DPPK-M-09+L77SDE09S	Solder Cup, 9-Female
15-way	L17DPPK-M-15+L77SDA15S	Solder Cup, 15-Female
25-way	L17DPPK-M-25+L77SDB25S	Solder Cup, 25-Female
37-way	L17DPPK-M-37+L77SDC37S	Solder Cup, 37-Female