

BNC "T" Adapter

multicomp PRO

**RoHS
Compliant**

Specifications:

Connector:

Type : BNC T Adapter
 1× Male BNC
 2× Female BNC

Electrical:

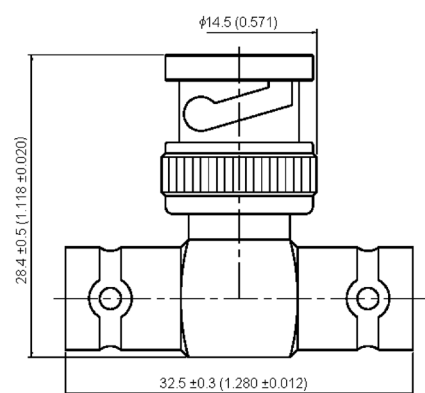
Voltage Rating : 500V AC
 Nominal Impedance : 50Ω
 Withstanding Voltage : 1,500Vrms
 Insulation Resistance : 5,000MΩ min.
 Frequency Range : 0-4 GHz

Material:

Body/housing : Nickel plated phosfor bronze
 Contacts : Brass
 Gasket : Silicone Rubber
 Dielectric : Delrin



Diagram



Dimensions : Millimetres (Inches)

No.	Description	Material	Finish
1	Body I	Brass	Nickel 100μ" Min.
2	Centre Contact I		Gold
3	Shell	Zinc	Nickel 100μ" Min.
4	Body II	Brass	
5	Insulation	POM	None
6	Gasket	Rubber	
7	Washer	Brass	Nickel 100μ" Min.
8	Spring Washer	SK-5	
9	Washer	Brass	
10	Centre Contact II		Nickel 100μ" Min.
11	Washer	POM	None
12	Insulation		

Part Number Table

Description	Part Number
BNC T Adapter, 1 × Plug & 2 × Jack	MP-13-39-2

Important Notice : This data sheet and its contents (the "Information") belong to the members of the AVNET group of companies (the "Group") or are licensed to it. No licence is granted for the use of it other than for information purposes in connection with the products to which it relates. No licence of any intellectual property rights is granted. The Information is subject to change without notice and replaces all data sheets previously supplied. The Information supplied is believed to be accurate but the Group assumes no responsibility for its accuracy or completeness, any error in or omission from it or for any use made of it. Users of this data sheet should check for themselves the Information and the suitability of the products for their purpose and not make any assumptions based on information included or omitted. Liability for loss or damage resulting from any reliance on the Information or use of it (including liability resulting from negligence or where the Group was aware of the possibility of such loss or damage arising) is excluded. This will not operate to limit or restrict the Group's liability for death or personal injury resulting from its negligence. Multicomp Pro is the registered trademark of Premier Farnell Limited 2019.

Newark.com/multicomp-pro
 Farnell.com/multicomp-pro
 Element14.com/multicomp-pro

multicomp PRO