

Push Button Switch

Soldering Type

multicomp PRO

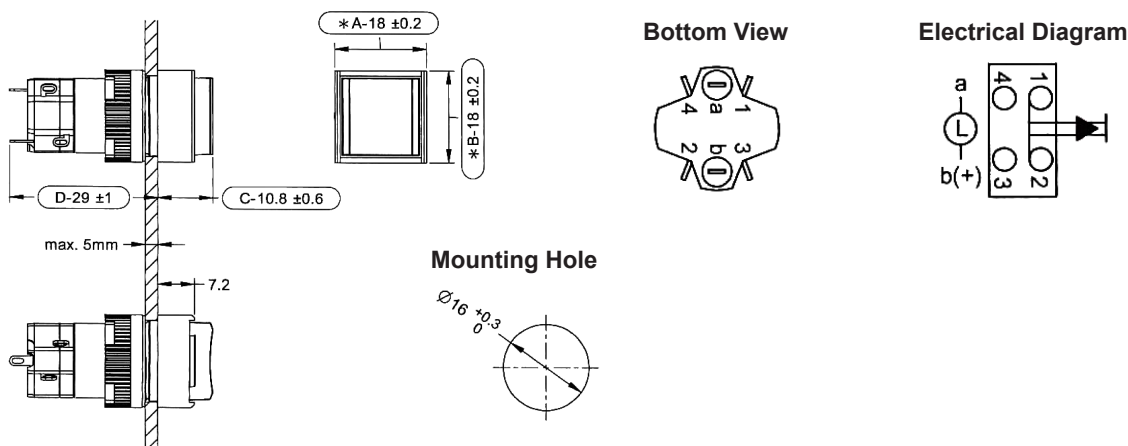
**RoHS
Compliant**



Specifications

Contact Configuration	: SPST-NO, SPST-NC
Switch Operation	: Momentary
Pushbutton Actuator Style	: Square
Switch Mounting	: Panel Mount
Switch Terminals	: Solder
Illumination Colour	: Non Illuminated
Mechanical Lifetime	: >2 million operations
Electric Rating	: 250V AC 5A(VDE) 125V AC 8A 250V DC 0.2A 24V DC 6A
Max. Insulation Voltage	: 1500V 60Hz 1 minute
Motion Tolerance	: <30 operations / minute
Panel Thickness	: 0.5mm to 5mm
Degree of Protection	: IP40
Storage Temperature	: -40°C to +85°C
Operating Temperature	: -25°C to +55°C (-25°C to +70°C without lamp)
Contact Resistance	: ≤50mΩ (initial)

Diagram



Part Number Table

Description	Part Number
Pushbutton Switch, SPST-NO/SPST-NC, Momentary, Soldering	D16-LMS1-1AB

Dimensions : Millimetres

Important Notice : This data sheet and its contents (the "Information") belong to the members of the AVNET group of companies (the "Group") or are licensed to it. No licence is granted for the use of it other than for information purposes in connection with the products to which it relates. No licence of any intellectual property rights is granted. The Information is subject to change without notice and replaces all data sheets previously supplied. The Information supplied is believed to be accurate but the Group assumes no responsibility for its accuracy or completeness, any error in or omission from it or for any use made of it. Users of this data sheet should check for themselves the Information and the suitability of the products for their purpose and not make any assumptions based on information included or omitted. Liability for loss or damage resulting from any reliance on the Information or use of it (including liability resulting from negligence or where the Group was aware of the possibility of such loss or damage arising) is excluded. This will not operate to limit or restrict the Group's liability for death or personal injury resulting from its negligence. Multicomp Pro is the registered trademark of Premier Farnell Limited 2019.

Newark.com/multicomp-pro
Farnell.com/multicomp-pro
sg.element14.com/b/multicomp-pro

multicomp PRO