

Universal Swivel TV Stand for 40" to 55" Flat Screen TVs

pro-SIGNAL



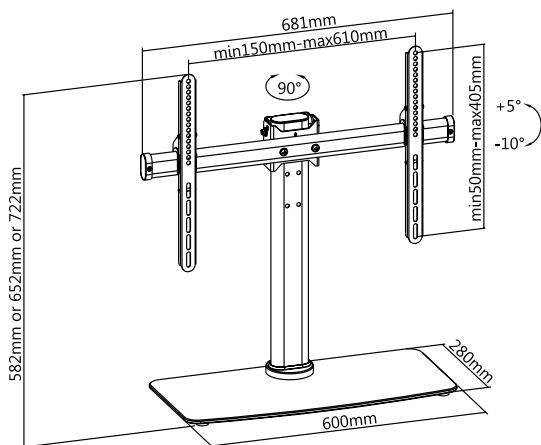
Features

- 3 stage height adjustments accommodate several sizes of flat screens and for a better viewing height.
- Freely tilt allows easy angle adjustment
- Screw-In clamps and end caps keep your TV and VESA brackets safely attached to the cross-bar.
- Bottom side pads protect table top surfaces from scratching.
- Swivelling joint offers maximum viewing flexibility
- Sleek tempered glass shelf stores your cable TV box, satellite receiver, gaming consoles.
- Cable clip routes cables to reduce clutter for a clean look and more organized place.

Specifications

Material	: Steel, Tempered Glass
Dimension(L×W×H)	: 681mm × 280mm × 582mm 681mm × 280mm × 652mm 681mm × 280mm × 722mm
Suggested Screen Size	: 40" to 55"
VESA	: 600×400
Swivel	: +45° to -45°
Max. Load (Screen)	: 40kg
Adjustable TV Height	: Yes

Diagram



Dimensions : Millimetres

Part Number Table

Description	Part Number
Universal Swivel TV Stand for 40" to 55" Flat Screen TVs	50-14796

Important Notice : This data sheet and its contents (the "Information") belong to the members of the AVNET group of companies (the "Group") or are licensed to it. No licence is granted for the use of it other than for information purposes in connection with the products to which it relates. No licence of any intellectual property rights is granted. The Information is subject to change without notice and replaces all data sheets previously supplied. The Information supplied is believed to be accurate but the Group assumes no responsibility for its accuracy or completeness, any error in or omission from it or for any use made of it. Users of this data sheet should check for themselves the Information and the suitability of the products for their purpose and not make any assumptions based on information included or omitted. Liability for loss or damage resulting from any reliance on the Information or use of it (including liability resulting from negligence or where the Group was aware of the possibility of such loss or damage arising) is excluded. This will not operate to limit or restrict the Group's liability for death or personal injury resulting from its negligence. pro-SIGNAL is the registered trademark of Premier Farnell Limited 2019.

Newark.com/exclusive-brands
Farnell.com/exclusive-brands
Element14.com/exclusive-brands

pro-SIGNAL