



5.08mm DIN rail mounted inverted/ reverse terminal blocks

Product overview

- Horizontal orientations
- Polarized moldings
- Can be reversed on DIN clips
- Also available in 5.08mm pitch
- Molded in green UL94-V0 flame retardant PA 66
- 2.5mm² (28-14AWG)
- approved
- 6-12 poles standard (13-24 also available)

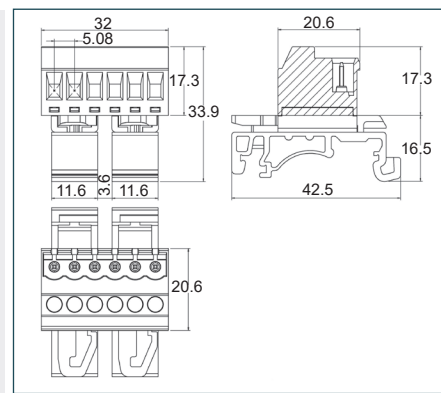
SPECIFICATION

Rating	UL=15A/300V IEC 20A/450V
Insulation resistance	500M Ω /500V
Withstand Voltage	AC2000V/1min
Contact Resistance	20m Ω (max)
Working Temperature	-40°C to 105+°C
Moldings	UL94-V0 Flame retardant PA66
Pin/Terminal	Brass, Tin plated
Rising Clamp	Brass, nickel plated
Screw/Torque	M3 Steel, zinc plated 0.5Nm

DIN rail mounting male vertical

PART NO.	POLES	LENGTH
CTBPD96VJ/6	6	32.0mm
CTBPD96VJ/7	7	37.1mm
CTBPD96VJ/8	8	42.2mm
CTBPD96VJ/9	9	47.2mm
CTBPD96VJ/10	10	52.3mm
CTBPD96VJ/11	11	57.4mm
CTBPD96VJ/12	12	62.5mm

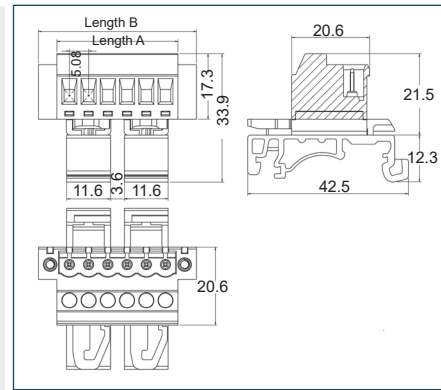
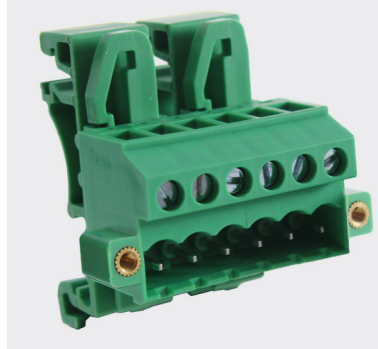
CTBPD96VJ



DIN rail mounting male vertical flanged

PART NO.	POLES	LENGTH A	LENGTH B
CTBPD96VJ/6FL	6	32.0mm	41.8mm
CTBPD96VJ/7FL	7	37.1mm	46.9mm
CTBPD96VJ/8FL	8	42.2mm	52.0mm
CTBPD96VJ/9FL	9	47.2mm	57.0mm
CTBPD96VJ/10FL	10	52.3mm	62.1mm
CTBPD96VJ/11FL	11	57.4mm	67.2mm
CTBPD96VJ/12FL	12	62.5mm	72.3mm

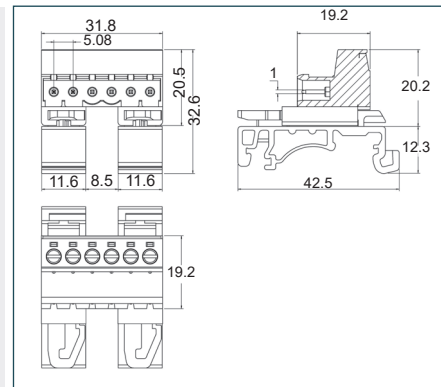
CTBPD96VJ/FL



DIN rail mounting male horizontal

PART NO.	POLES	LENGTH
CTBPD96HJ/6	6	32.0mm
CTBPD96HJ/7	7	37.1mm
CTBPD96HJ/8	8	42.2mm
CTBPD96HJ/9	9	47.2mm
CTBPD96HJ/10	10	52.3mm
CTBPD96HJ/11	11	57.4mm
CTBPD96HJ/12	12	62.5mm

CTBPD96HJ/FL





002
PCB TERMINAL
BLOCKS

081
TERMINAL STRIPS

095
WIRE TO BOARD
CONNECTORS

100
CIRCULAR
CONNECTORS

151
IP68 CONNECTORS

158
INTERFACE
MODULES AND
RELAY BASES

DIN rail mounting male horizontal flanged

PART NO.	POLES	LENGTH A	LENGTH B
CTBPD96VJ/6FL	6	32.0mm	41.8mm
CTBPD96VJ/7FL	7	37.1mm	46.9mm
CTBPD96VJ/8FL	8	42.2mm	52.0mm
CTBPD96VJ/9FL	9	47.2mm	57.0mm
CTBPD96VJ/10FL	10	52.3mm	62.1mm
CTBPD96VJ/11FL	11	57.4mm	67.2mm
CTBPD96VJ/12FL	12	62.5mm	72.3mm

CTBPD96HG/FL

