

RES70 Chassis Mounted Filter

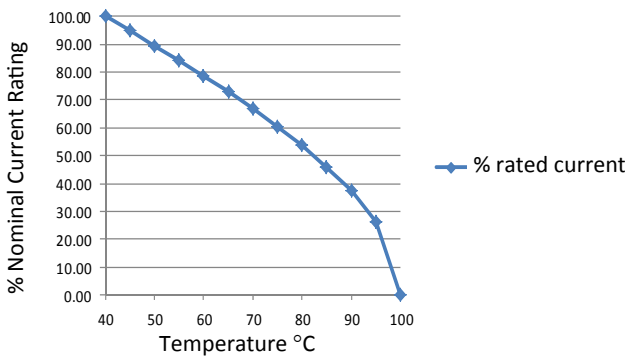
Multi-Stage, High Differential, High Common Mode and High Frequency

Roxburgh's RES70 series is a multi-stage EMC filter offering high differential mode, high common mode and high frequency attenuation.

Designed for quick and easy chassis mounting, these general purpose filters are suitable for a broad range of applications including noisy environments where increased filter performance is required.



**Temperature Derating Curve for EMC Filters
Rated at 40°C Ambient and 100°C Maximum**



Call us on:
+44 (0) 1724 273200

Features:

- Multi-stage
- High differential and high common mode attenuation
- High frequency attenuation
- UL approved E191581
- For use from DC to 400Hz
- 1 Amp to 36 Amp

Benefits:

- Compact size for rated current
- Fast-on, screw or wire terminations
- Quick and Easy Mounting
- Available from UK Stock

Application Examples:

- Lighting
- Drives
- Electrical and electronic equipment
- Consumer goods
- Household equipment
- Building automation
- Machinery
- Electronic data/communication processing equipment
- Office automation

Full technical specification on page 2

Performance Curves on page 3

Other options in this range on page 4

DEM Manufacturing

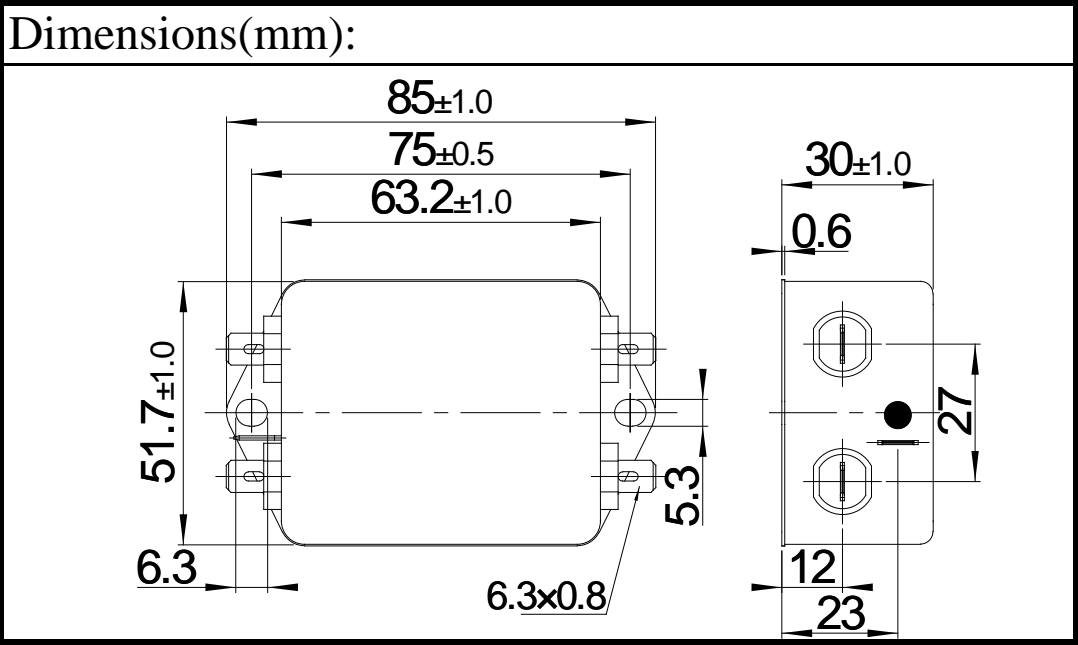
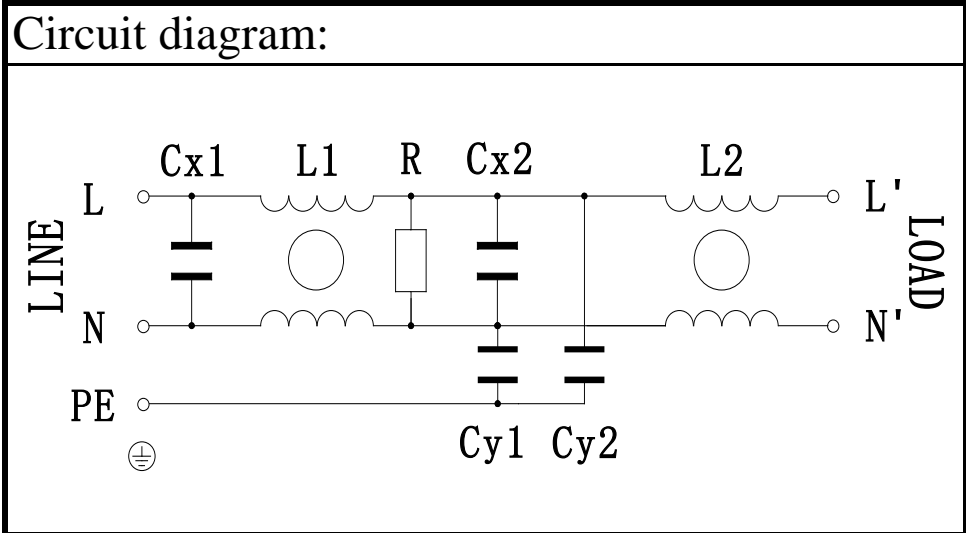
Deltron Emcon House
Hargreaves Way
Sawcliffe Industrial Park
Scunthorpe, North Lincolnshire
DN15 8RF



Tel: +44 (0) 1724 273200

Email: sales@dem-uk.com

Web: www.dem-uk.com/roxburgh



Electrical parameters:

Rated Voltage:	120/250VAC
Rated Current at an ambient temp:	1A@40°C
Operating Frequency:	50/60Hz
Climatic Class(IEC60068-1):	25/100/21
Operational Leakage current: (at 250VAC/50Hz and Total C +/-20%)	0.8mA max (RES70F01-M 0mA)
Operational Leakage current: (at 120VAC/60Hz and Total C +/-20%)	0.46mA max (RES70F01-M 0mA)
Test Voltage(100%)for 2 sec:	L-N:
	L/N-PE:
	1100VDC/20mA
	2250VDC/20mA

Filter parameters:

Total Inductance(L-L'/N-N'):	44mH +50%,-35%
Total Capacitance(L-N/L'-N'):	0.66uF +/-20%
Total Capacitance(L/N-PE) (RES70F01-M):	9.4nF +/-20% (0nF)
Total Resistance(L-N/L'-N'):	1MΩ +/-10%
Weight(Approximate):	160g

Safety certification **Technical Specification**

UL	<input checked="" type="checkbox"/>	CSA	<input checked="" type="checkbox"/>	compiled by	Jay Zhang	2020-8-5
ENEC	<input checked="" type="checkbox"/>	CQC	<input type="checkbox"/>	reviewed by	Pallas Wang	2020-8-5
CE	<input checked="" type="checkbox"/>	VDE	<input type="checkbox"/>	approved by	Henry Huang	2020-8-5

ROXBURGH EMC  +44 (0)1724 273200
sales@dem-uk.com
www.dem-uk.com/roxburgh

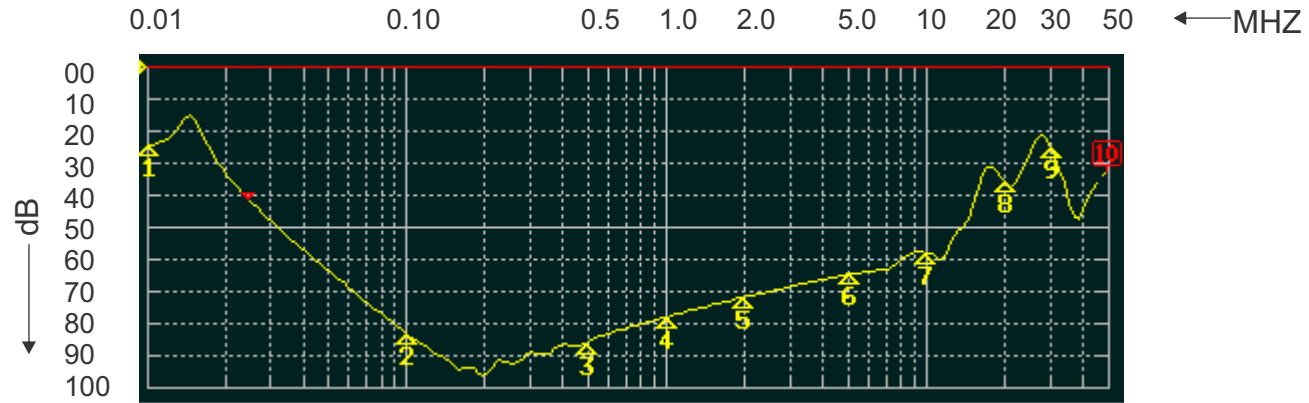
Part **RES70F01**
Number (Alternate RES70F01-M - no Y caps)

single-phase emc filter
stage marker V1.03

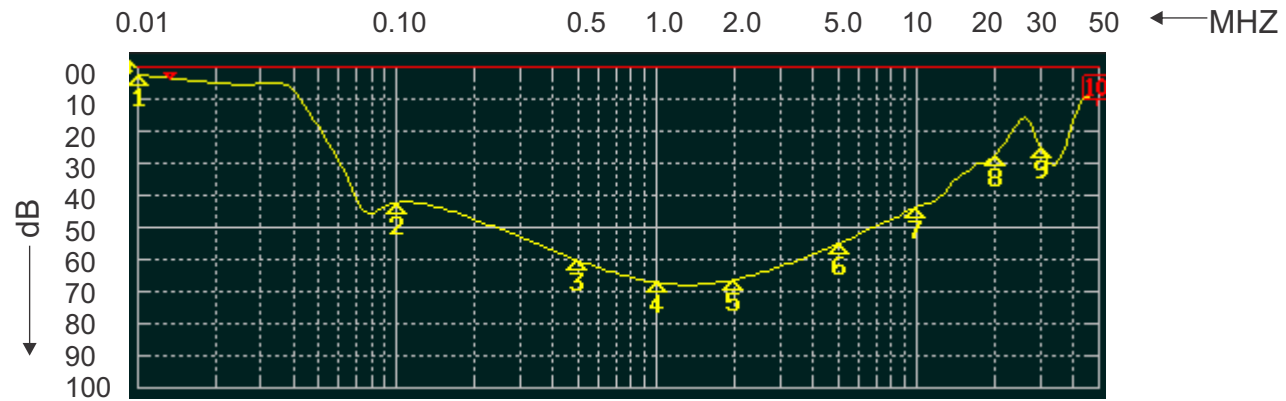
ROXBURGH EMC

FILTER INSERTION LOSS CHARACTERISTICS CISPR 17 - 50 OHM METHOD

RES70F01



COMMON MODE






DIFFERENTIAL MODE



RES70 Chassis Mounted Filter

Multi-Stage, High Differential, High Common Mode and High Frequency

Options Available:

Part Number	Rated Current @40°C A	Leakage Current @ 230V/50Hz mA	Inductance ΣL mH	Capacitance ΣCx uF	Capacitance ΣCy nF	Resistance ΣR K Ω	Connection Type		
									
RES70F01	1	0.73	44	0.66	9.4	1000	F	W	
RES70F03	3	0.73	19.6	0.94	9.4	470	F	W	
RES70F06	6	0.73	15.6	2	9.4	220	F	W	
RES70F10	10	0.73	9	2	9.4	220	F	W	
RES70F12	12	0.73	6.5	2	9.4	220	F	W	
RES70F16	16	0.73	3.6	2	9.4	220	F	W	S
RES70S25	25	0.73	4	4.4	9.4	220			S
RES70S36	36	0.86	2.46	4.4	9.4	220			S

Call us on:

+44 (0) 1724 273200



DEM Manufacturing

Deltron Emcon House, Hargreaves Way, Sawcliffe Industrial Park,
Scunthorpe, North Lincolnshire, DN15 8RF

Tel: +44 (0) 1724 273200

Email: sales@dem-uk.com

Web: www.dem-uk.com/roxburgh