



QUICK STRUT NUT, M8 ROD

CATALOG NUMBER

QSNM8EG



FEATURES

Provides fast universal attachment of threaded rod and hardware to standard strut profiles

Pre-assembled slide nut ready to use out of the box

Spring retains assembly in place until hardware is tightened

PRODUCT ATTRIBUTES

Article Number: 592910

Material: Steel

Finish: Electrogalvanized

Rod Size: M8

A: 6 mm

B: 4 mm

C: 41 mm

Torque: 28 N-m

Static Load 1: 3,300 N

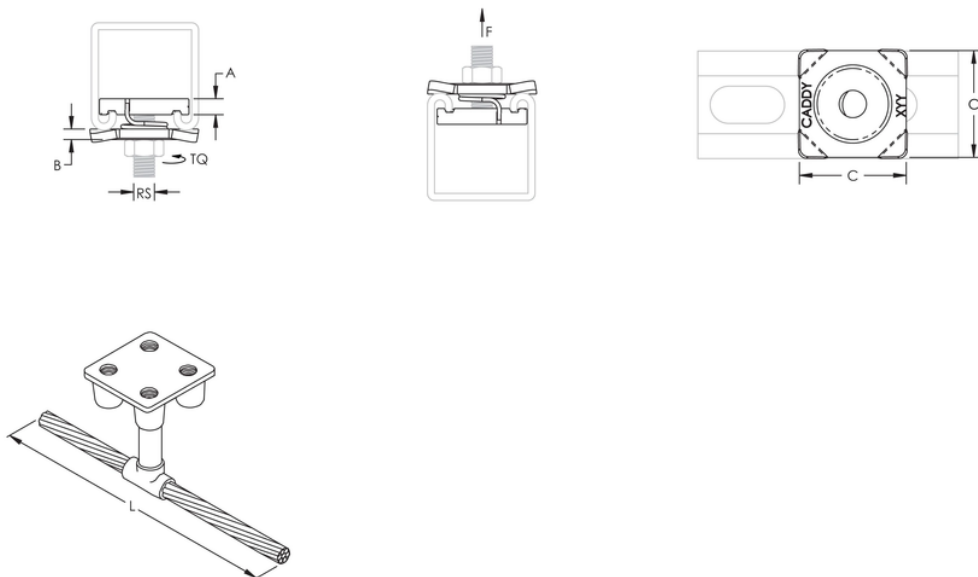
Static Load 2: 3,300 N

Static Load 3: 3,300 N

ADDITIONAL PRODUCT DETAILS

Static Load 1 represents 1.5 mm strut channel thickness. Static Load 2 represents 2.0 mm strut channel thickness. Static Load 3 represents 2.5 mm strut channel thickness.

DIAGRAMS



WARNING

nVent products shall be installed and used only as indicated in nVent's product instruction sheets and training materials. Instruction sheets are available at www.nvent.com and from your nVent customer service representative. Improper installation, misuse, misapplication or other failure to completely follow nVent's instructions and warnings may cause product malfunction, property damage, serious bodily injury and death and/or void your warranty.

Noord-Amerika

+1.800.753.9221

Optie 1 - de Zorg van de Klant

Optie 2 - Technische Steun

Europa

Nederland:

+31 800-0200135

Frankrijk:

+33 800 901 793

Europa

Duitsland:

800 1890272

Andere Landen:

+31 13 5835404

APAC

Shanghai:

+ 86 21 2412 1618/19

Sydney:

+61 2 9751 8500



Onze krachtige portefeuille van merken:

nVent.com CADDY ERICO HOFFMAN RAYCHEM SCHROFF TRACER

© nVent 2022. Alle nVent tekens en emblemen worden bezeten of door de nVent Diensten GmbH of zijn filialen vergunning gegeven. Alle andere handelsmerken zijn het bezit van hun respectieve eigenaars.

nVent reserves het recht specificaties zonder bericht te veranderen.