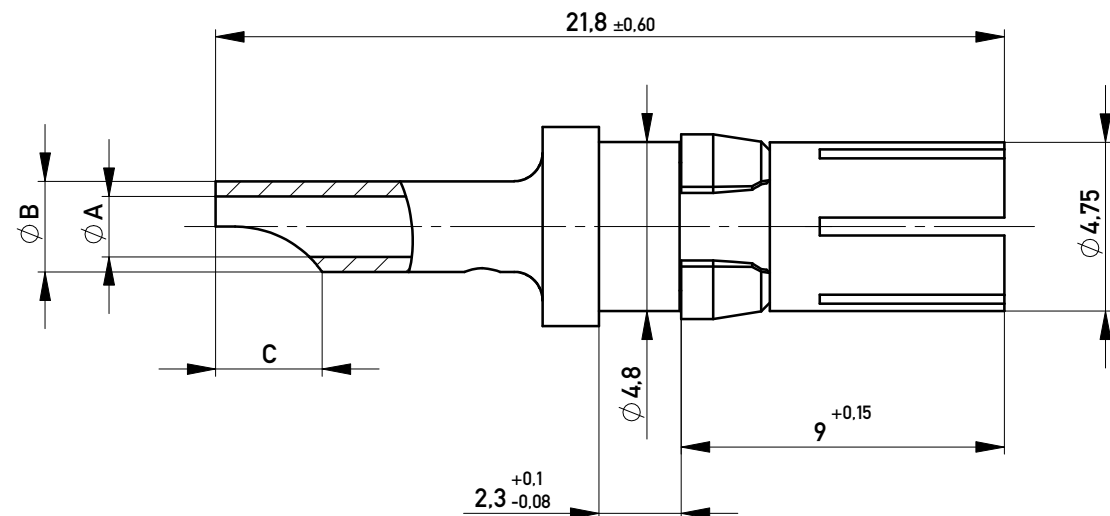
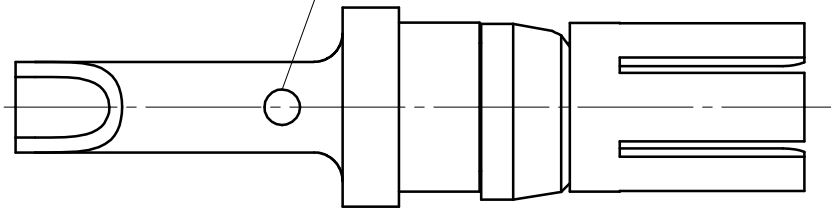
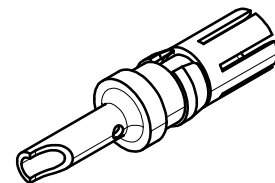


Loch wahlweise vorhanden  
hole selective available



M 2:1



Missing informations  
and dimensions  
see at DIN 41626

Technical Data:

Insertion/withdrawal force per contact:  $\leq 10\text{N} / \leq 1,6\text{N}$   
 Mechanical operations:  $\geq 500$   
 Contact resistance:  $\leq 1\text{m}\Omega$   
 Operation Temperature:  $-55^\circ\text{C} - +125^\circ\text{C}$   
 Solder temperature: according JEDEC 020C  
 Suitable assembly process: leadfree wave / reflow soldering

RoHS compliance: yes (6/6)

Designed for use with: straight female DIN, female 2mm HM connector

Packaging: antistatic plastic bag  
 Packaging unit: 100 pieces per bag  
 Marking of packaging: label or direct printed on bag  
 required date see ERNI labeling spec. 254792

Current	Cable cross area	AWG
10 A	1,5 mm <sup>2</sup>	16
20 A	4 mm <sup>2</sup>	12
30 A	6 mm <sup>2</sup>	10
40 A	10 mm <sup>2</sup>	8

594176	1	40 A	2-4 $\mu\text{mNiP}+$ 0,1 $\mu\text{m Au}$	4,8	5,6	5,2
594174	1	20 A		2,9 -0,5	3,7	4,0
594172	1	10 A		1,8	2,5+0,3	3,0
294761	1	40 A	2 - 3 $\mu\text{m Ni}$ min. 1,3 $\mu\text{m Au}$	4,8	5,6	5,2
053456	1	30 A		3,45+0,1	4,5	4,7+0,6
294760	1	20 A		2,9 -0,5	3,7	4,0
294759	1	10 A		1,8	2,5+0,3	3,0
Part-No.	Class	Current	Plating	$\varnothing A$	$\varnothing B$	C

Masse nur informativ,  
keine Prüfpläne erstellen.

Information:		Tolerances	Scale 5:1
All rights reserved. Only for Information. To ensure that this is the latest version of this drawing, please contact one of the ERNI companies before using.		All Dimensions in mm	Designation
Subject to modification without prior notice. Drawing will not be updated.		www.ERNI.com	High Current Female Contact Hand Solder Termination
l	18.06.2015	Index	053316
Date		Class	STVSKO
			I A3