

Date: 04.03.2008

KEF

General Data

Type reference:	KEF
Description:	Pedal switch in an aluminium casing, equipped with the contact block type ET
Approvals:	CE, CSA, GOST-R, UL
Nature of contact:	1NC/1NO
Protection class:	II (protective insulation)
Operation travel:	6 mm
Connection type:	screw connection 2x2.5mm ² , finger-protected acc. to VBG4
Contact material:	AgNi
Max. storage temperature:	-50°C ... 70°C
Max. operating temperature:	-30°C ... 70°C
Mechanical life:	1m operations
Electrical life (rated load):	1m operations at rated load
Contact resistance NO:	< 20 mOhm (new state)
Contact resistance NC:	< 20 mOhm (new state)
Bouncing time NO:	< 10ms
Bouncing time NC:	< 10ms
Positive opening contact:	acc. to EN60947-5-1, appendix. K

Electrical data acc. to IEC/EN 60947-5-1 (VDE 0660 Sect. 200)

	alternate current	direct current
Utilisation category:	AC15	DC13
Rated insulation voltage U _i :	400V	400V
Rated operational voltage U _e :	400V / 250V	400V / 250V / 125V / 60V / 24V
Rated operational current I _e :	3 A / 5A	0.12A / 0.2A / 0.4A / 1A / 2A
Breaking capacity:	10I _e	1.1I _e
Continuous thermal current:	10A	10A

Electrical data acc. to IEC/EN 61058-1 (VDE 0630 Sect. 1)

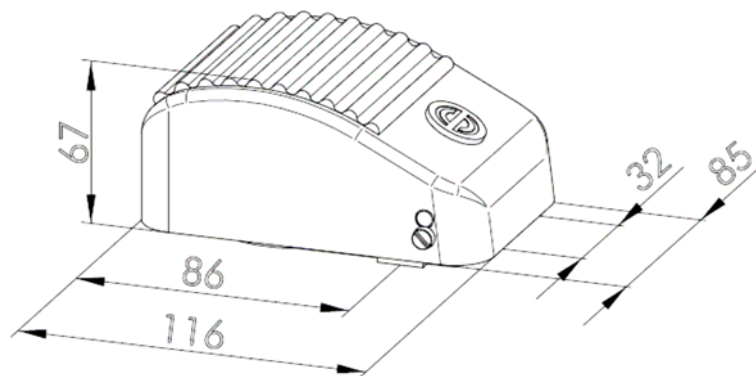
Rated voltage U _e :	250 V~ / 440 V~
Rated current I _e :	10(6) A / 6(3) A

Additional Data

Degree of protection (complete type):	IP65
Cable entry:	PG11

Electrical Data acc. to UL 508

Ratings:	A600, 600V AC
----------	---------------



- subject to alterations -