

42238-2 ✓ ACTIVE

FASTIN-FASTON | FASTIN-FASTON 250

TE Internal #: 42238-2

FASTIN-FASTON 250, Quick Disconnects, Receptacle, 18 – 14AWG

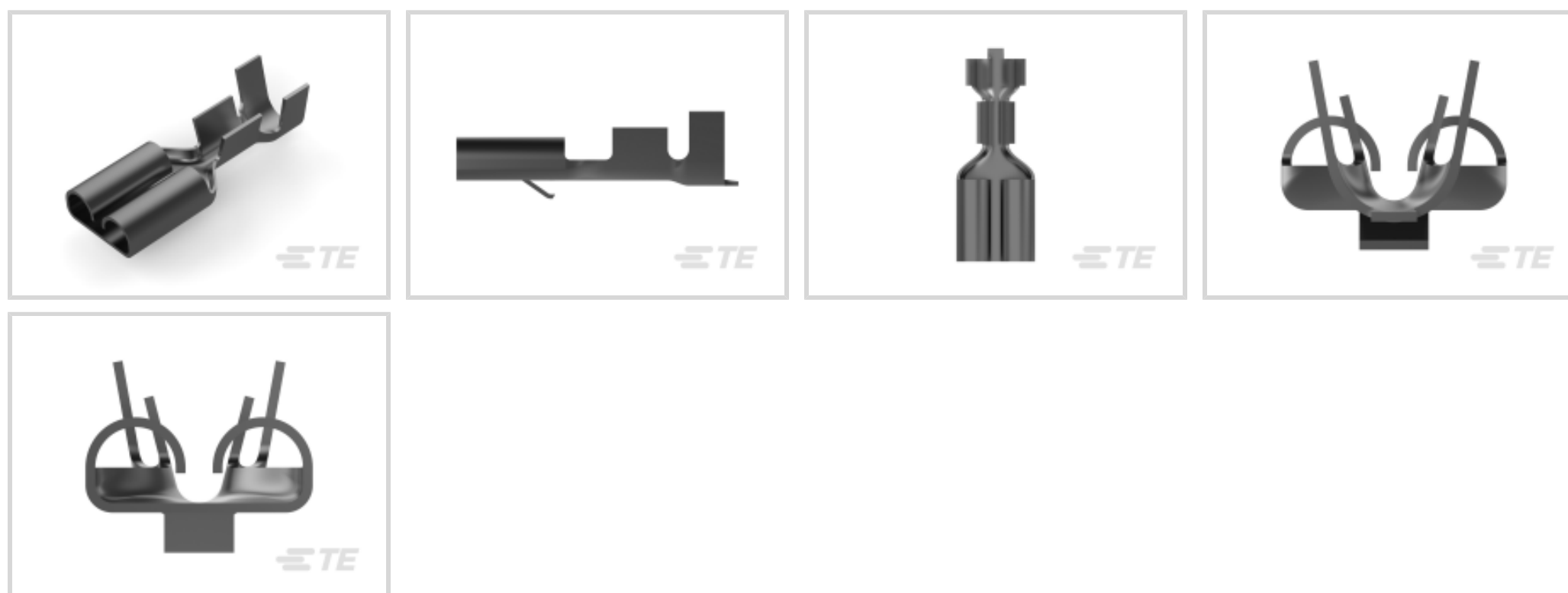
Wire Size, .82 – 2.08mm² Wire Size, Quick Disconnect Mating Tab

Width 6.35 mm [.25 in]

[View on TE.com >](#)



Terminals & Splices > Quick Disconnects



Terminal & Splice Type: **Receptacle**

Wire Size: **.82 – 2.08 mm²**

Quick Disconnect Mating Tab Width: **6.35 mm [.25 in]**

Quick Disconnect Mating Tab Thickness: **.81 mm [.032 in]**

Features

Product Type Features

Wire/Cable Type	Regular Wire
Terminates To	Wire & Cable
Quick Disconnect Insertion Force	Normal
Sealable	No
Insulated	No

Configuration Features

Connection Capacity	Single
---------------------	--------

Body Features

Fully Insulated	No
Quick Disconnect Plating Material	Tin

Contact Features

Terminal Type	Receptacle
Terminal & Splice Type	Receptacle
Quick Disconnect Terminal Orientation	Straight



Contact Base Material	Brass
-----------------------	-------

Crimp Type	F-Crimp
------------	---------

Barrel Type	Open
-------------	------

Mechanical Attachment

Mating Retention Type	Locking Lance
-----------------------	---------------

Wire Insulation Support	With
-------------------------	------

Dimensions

Accepts Wire Insulation Diameter Range	3.1 – 4.1 mm [.12 – .16 in]
--	-----------------------------

Overall Length	20.32 mm [.8 in]
----------------	------------------

Receptacle Terminal Stock Thickness	.3 mm [.012 in]
-------------------------------------	-----------------

Wire Size	.82 – 2.08 mm ²
-----------	----------------------------

Quick Disconnect Mating Tab Width	6.35 mm [.25 in]
-----------------------------------	------------------

Quick Disconnect Mating Tab Thickness	.81 mm [.032 in]
---------------------------------------	------------------

Usage Conditions

Insulation Requirement	Uninsulated
------------------------	-------------

Operating Temperature Range	-40 – 110 °C [-40 – 230 °F]
-----------------------------	-----------------------------

Packaging Features

Packaging Quantity	500
--------------------	-----

Quick Disconnect Packaging Method	Loose Piece/Carton
-----------------------------------	--------------------

Product Compliance

[For compliance documentation, visit the product page on TE.com>](#)

EU RoHS Directive 2011/65/EU	Compliant
------------------------------	-----------

EU ELV Directive 2000/53/EC	Compliant
-----------------------------	-----------

China RoHS 2 Directive MIIT Order No 32, 2016	No Restricted Materials Above Threshold
---	---

EU REACH Regulation (EC) No. 1907/2006	Current ECHA Candidate List: JAN 2021 (211) Candidate List Declared Against: JAN 2021 (211) Does not contain REACH SVHC
--	---

Halogen Content	Low Halogen - Br, Cl, F, I < 900 ppm per homogenous material. Also BFR/CFR/PVC Free
-----------------	---

Solder Process Capability	Not applicable for solder process capability
---------------------------	--

Product Compliance Disclaimer

This information is provided based on reasonable inquiry of our suppliers and represents our current actual knowledge based on the information they provided. This information is subject to change. The part numbers that TE has identified as EU RoHS compliant have a maximum concentration of 0.1% by weight in homogenous materials for lead, hexavalent chromium, mercury, PBB, PBDE, DBP, BBP, DEHP, DIBP, and 0.01% for cadmium, or qualify for an exemption to these limits as defined in the Annexes of Directive 2011/65/EU (RoHS2). Finished electrical and electronic equipment products will be CE marked as required by Directive 2011/65/EU. Components may not be CE marked. Additionally, the part numbers that TE has identified as EU ELV compliant have a maximum concentration of 0.1% by weight in homogenous materials for lead, hexavalent chromium, and mercury, and 0.01% for cadmium, or qualify for an exemption to these limits as defined in the Annexes of Directive 2000/53/EC (ELV). Regarding the REACH Regulation, the information TE provides on SVHC in articles for this part number is based on the latest European Chemicals Agency (ECHA) 'Guidance on requirements for substances in articles' posted at this URL: <https://echa.europa.eu/guidance-documents/guidance-on-reach>

Compatible Parts



REPRESENTATION ONLY

TE Part # 720725-1
DAHT 250 FASTIN-ON TAB REC 18-14 ASSY



TE Part # 1-1579007-4
EXTRACTION TOOL



TE Part # 4-1579007-3
EXTRACTION TOOL KIT



TE Part # 58524-1
PROCRIMPER TOOL & DIE

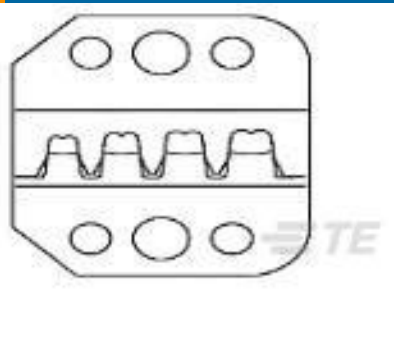


REPRESENTATION ONLY

TE Part # 90165-1
DAHT 250 FASTON REC 18-14 ASSY



TE Part # 42924-2
FF 250 REC 18-14AWG TPBR PRE CRIMPED




TE Part # 58524-2
PROCRIMPER DIE




TE Part # 3-1377175-2
SMP 0-0042238-2


Also in the Series | FASTIN-FASTON 250




Crimp Terminal Housings(216)



Insertion & Extraction Tools(2)



PCB Terminals(2)



Quick Disconnects(258)

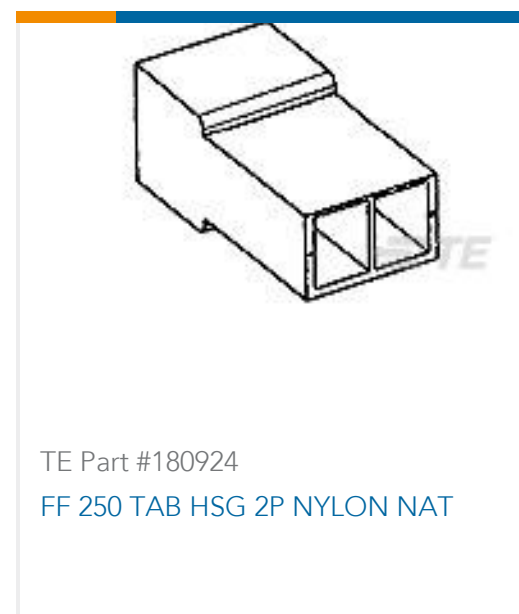
Customers Also Bought



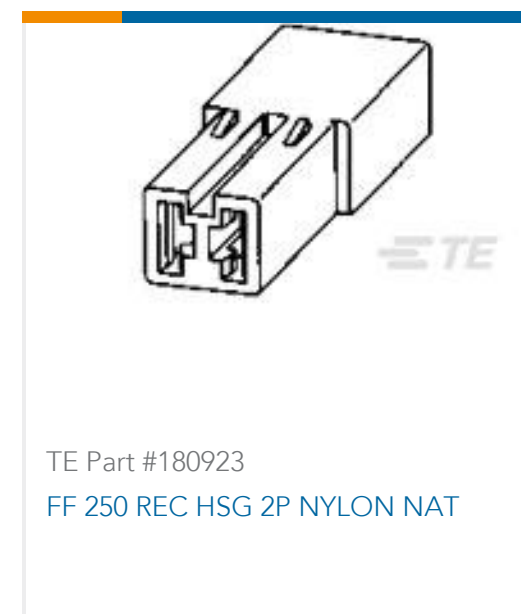
TE Part #180384-2
FF 250 REC 4-6MM2 PTBR LP



TE Part #180908
FF 250 TAB HSG 2P NYLON NAT



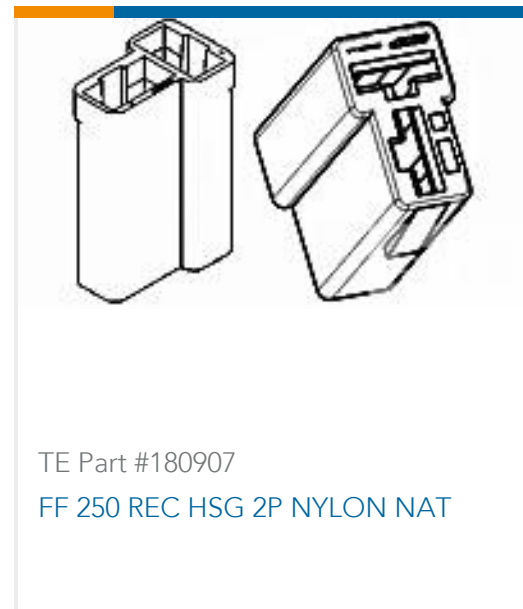
TE Part #180924
FF 250 TAB HSG 2P NYLON NAT



TE Part #180923
FF 250 REC HSG 2P NYLON NAT



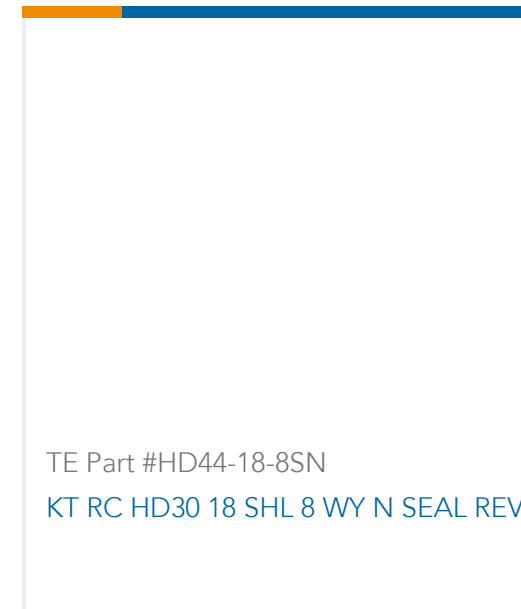
TE Part #180908-5
FF 250 TAB HSG 2P NYLON BLACK



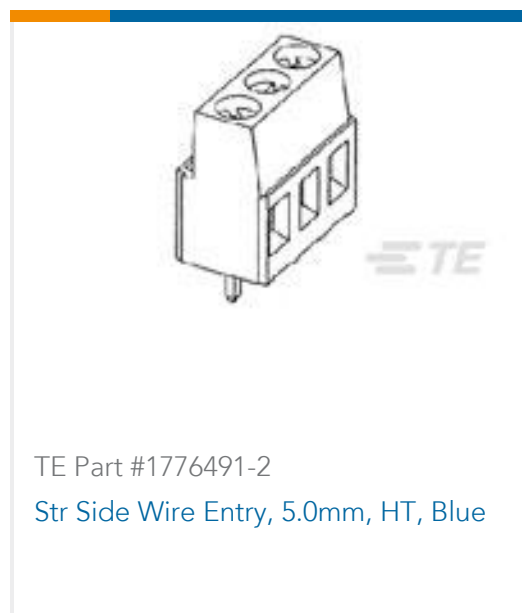
TE Part #180907
FF 250 REC HSG 2P NYLON NAT



TE Part #183024-1
AMP SUPERSEAL 1.5MM,
RECEPTACLE AND TAB



TE Part #HD44-18-8SN
KT RC HD30 18 SHL 8 WY N SEAL REV



TE Part #1776491-2
Str Side Wire Entry, 5.0mm, HT, Blue

Documents

Product Drawings

[FF 250 REC 18-14AWG TPBR PRE CRIMPED](#)

English

CAD Files

[3D PDF](#)

3D

Customer View Model

[ENG_CVM_CVM_42238-2_AJ_c-42238-2-aj.2d_dxf.zip](#)

English

Customer View Model

[ENG_CVM_CVM_42238-2_AJ_c-42238-2-aj.3d_igs.zip](#)

English

Customer View Model

[ENG_CVM_CVM_42238-2_AJ_c-42238-2-aj.3d_stp.zip](#)

English

By downloading the CAD file I accept and agree to the [Terms and Conditions](#) of use.

Datasheets & Catalog Pages



[FASTIN_FASTON_Product_Line](#)

English

[Product Environmental Compliance](#)

[TE Material Declaration](#)

English

[Instruction Sheets](#)

[Instruction Sheet \(non U.S.\)](#)

Japanese

[Instruction Sheet \(non U.S.\)](#)

Japanese