

**TECHNICAL SPECIFICATIONS**

**D-Sub Hood:**

Material: UL 94 V-0 Plastic Material  
 Plating: Nickel over Copper  
 Operating Temperature: -55°C to +110°C  
 Cable Entry: Top Entry  
 Thumbscrews: UNC 4-40 (Standard)  
 Cable O.D: Up to 11,5mm

**Standard D-Sub Solder Cup:**

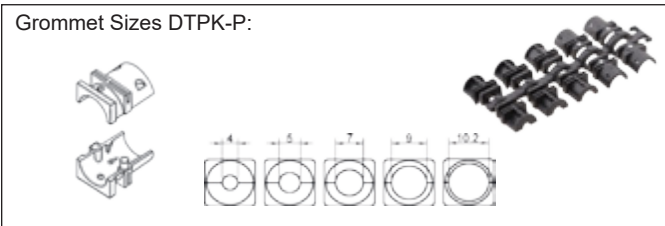
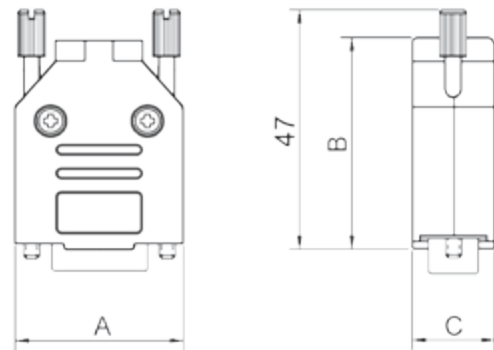
Insulator: Glass filled TP, UL94 V-0  
 Shell: Steel, Tin Plated  
 Contact pins: Copper Alloy  
 Gold Flash over Ni.  
 Stamped & Formed Pins: Class 3, 100 inserts min.  
 Contact Plating: Gold flash over Nickel  
 Operating Temperature: -55°C to +85°C  
 Withstanding voltage: >1000V Rms to 50 Hz for 1 minute  
 Current Rating: 5A  
 Insulator resistance: >5000MΩ min.

**Features:**

- Available in sizes 9-15-25-37
- 360° EMI Shielding
- Re-openable



...with Connectors from:  
**Amphenol**



Size DTPK-M	Dim A	Dim B	Dim C
9-way	31,2	39,9	15,0
15-way	39,5	41,5	15,0
25-way	53,4	48,6	15,0
37-way	69,7	53,6	15,0

**Ordering information:**

**Standard D-Sub Connector Kits**

Size:	P/N - Kitted:	Product Code - MALE Conn. Kit
9-way	6355-5013-01	DTPK-M-09+L717SDE15P
15-way	6355-5013-02	DTPK-M-15+L717SDA26P
25-way	6355-5013-03	DTPK-M-25+L717SDB44P
37-way	6355-5013-04	DTPK-M-37+L717SDC62P

Size:	P/N - Kitted:	Product Code - FEMALE Conn. Kit
9-way	6355-5013-11	DTPK-M-09+L77SDE15S
15-way	6355-5013-12	DTPK-M-15+L77SDA26S
25-way	6355-5013-13	DTPK-M-25+L77SDB44S
37-way	6355-5013-14	DTPK-M-37+L77SDC62S



**Encitech AB**  
 Rörkullsvägen 4  
 SE-302 41 HALMSTAD, Sweden

Tel.: +46-(0)35-15 13 90  
 Fax: +46-(0)35-15 13 99

**www.encitech.com**