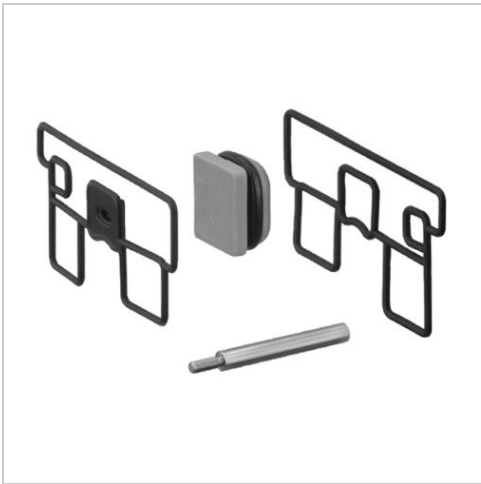


Assembly kit

- standard ISO 15407-1

- Frame size 18 mm



Standards

Ambient temperature min./max.

Medium

Weight

ISO 15407-1

-15 ... 70 °C

Compressed air

See table below

Technical data

Part No.	Type	Delivery unit
1823051991	Threaded rods for the assembly of 2 intermediate plates	5 piece
1823051992	Threaded rods for the assembly of 3 intermediate plates	5 piece
1823051993	Threaded rods for the assembly of 5 intermediate plates	5 piece
1821015812	Intermediate plate valve molded seal	10 piece
1821015815	Gasket for intermediate plates, 1 closed, 3 and 5 open	5 piece
1821015817	Gasket for intermediate plates, 1, 3, and 5 open	10 piece
1827003825	Separator for channel 3 + 5	2 piece

Part No.	Weight	Fig.	
1823051991	0,014 kg	-	1)
1823051992	0,022 kg	-	2)
1823051993	0,038 kg	-	3)
1821015812	0,005 kg	-	-
1821015815	0,001 kg	Fig. 2	-
1821015817	0,001 kg	-	-
1827003825	0,06 kg	Fig. 1	-

1) 2 intermediate plates

2) 3 intermediate plates

3) 5 intermediate plates

Technical information

The min. control pressure must be adhered to, since otherwise faulty switching and valve failure may result!
The pressure dew point must be at least 15 °C under ambient and medium temperature and may not exceed 3 °C .
The oil content of compressed air must remain constant during the life cycle.
Use only the approved oils from AVENTICS. Further information can be found in the “Technical information” document (available in the MediaCentre).

Dimensions

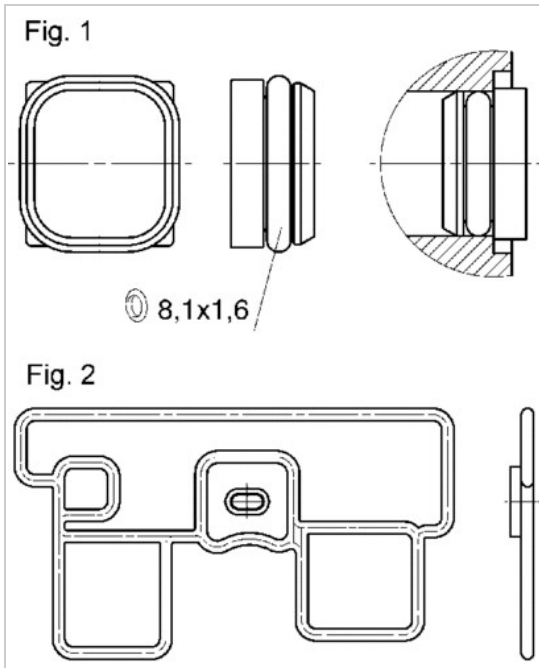


Fig. 1 Separator for channel 3 + 5

Fig. 2 Separating seal for channel 1