

# Miniature Panel Mount Thermocouple Connector



## Features

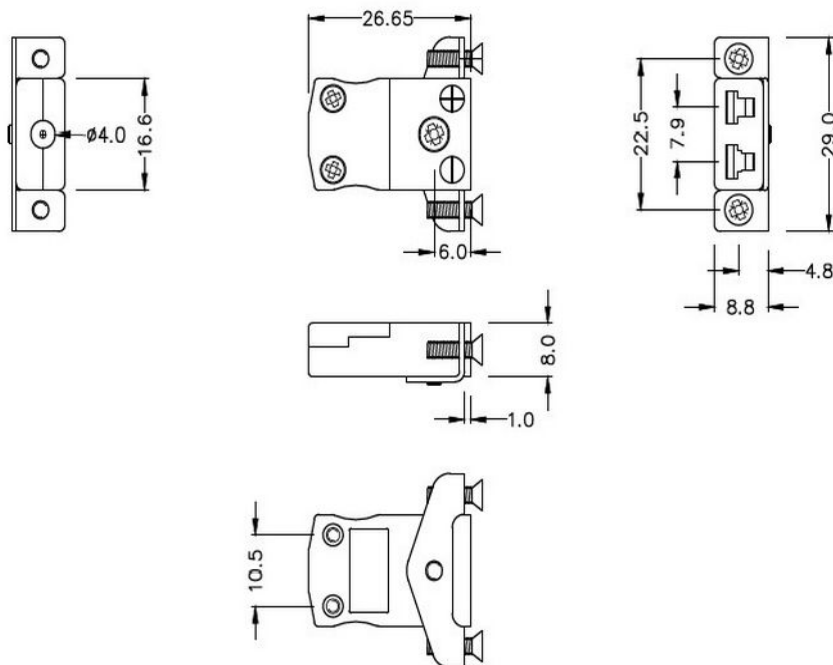
- Stainless steel bracket simply fitted to connector
- Fully enclosed terminals with cable port seal
- Reliable thermocouple connection for accurate temperature measurements



## Specification

Sensor Type	T
Connector Size	Miniature
Connector Type	Socket with SS Bracket
Colour	Brown
Max. Temperature	220 °C
+Positive Contact	Cu
-Negative Contact	CuNi
Standards Met	BS EN 50212:1997; RoHS

## Drawing



**Miniature in-line Socket with stainless steel mounting bracket**  
(dimensions in mm)

Art. Nr.  
RND 410-00196